

In-Line Flow Transmitter for continuous measurement

8036 / SE36

For use with fitting S030, 1/2" to 2"

- Up and download of the data through removable display
- Automatic calibration: TEACH-IN
- All output signals without presence of flow

Please see fitting S030



CLICK ME



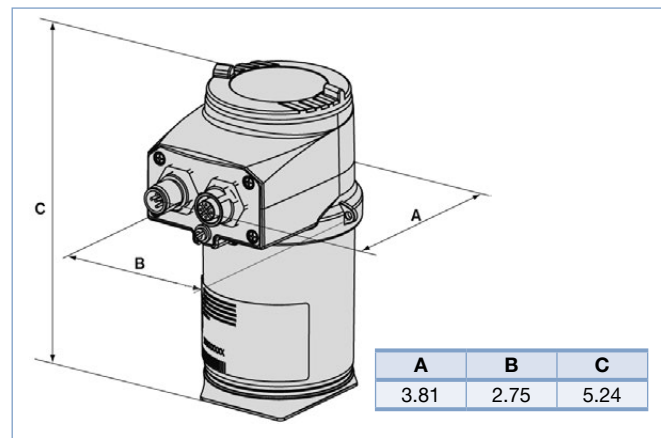
FOR DATA SHEET

Unique bayonet style flow meter constructed from an SE36 sensor and any of the S030 fittings. This two-wire 4-20 mA INLINE flow meter is manufactured to provide true, reliable flow for neutral, solid free liquids. A backlit removable display allows the system to be flexible and adds more value.

Technical Data

Electronic module	
Housing material	Stainless steel, PPS, PC
Display	Removable dot matrix 128 x 64 with backlight
Ambient temperature	32 °F to 140 °F
Voltage supply	14...36 VDC for 2-wire models
Electrical Protection	Short circuit protection Reversed polarity of DC protected
Electrical connections	M12
Outputs	4-20 mA for flow rate Transistor output NPN and PNP, 700 mA
Output Load Max.	< 1100 Ω at 36 V < 610 Ω at 24 V < 180 Ω at 14 V
Ingress protection	IP65 and 67, NEMA4X
Approvals	UL Recognized, CSA through cURus, CE
Integrated sensor and fitting module	
Size range	1/2" to 2" with bayonet fitting
Measuring ranges	1 to 33 fps
Measuring error (teach in)	≤ ± 1% o.FS (at 33fps)
Measuring error (Std. k-factor)	≤ ±(0.5% o.FS + 2.5% o.R)
Linearity	≤ ± 0.5% o.FS (at 33fps)
Repeatability	0.4% o.R.
Fitting Materials	PVC, PVDF, PP, Brass, Stainless, Stainless HT
Paddle wheel	PVDF
Axis and bearing	Ceramic
O-rings	FKM
Max. fluid temperature	212 °F (metal), 122 °F (PVC)
Ambient temperature range	0 to 140 °F
Max. fluid pressure	232 PSI (metal), 145 PSI (PVC)

Envelope Dimensions [inch] (see datasheet for details)



Options

- High flow rate (8026) to DN350 mm
- Hygienic clamp & weld end connections
- Individual calibration certificate
- Various sealing materials
- ANSI/DIN flange connection

Accessories

Description	Item no.
Display/programming module	559168
Electrical connector, 5-pin M12 male, plug only	560946
Electrical connector, 5-pin M12 male, 2 m prewired	559177
Electrical connector, 5-pin M12 female, plug only	917116
Electrical connector, 5-pin M12 female, 2 m prewired	438680

Ordering Chart

Specifications	Output	Electrical connection	Item no. (UR approved)	
			without display	with display
2 outputs	1 x transistor + 1 x 4-20 mA (2 wire)	5-pin M12 male fixed connector	560883	561883
3 outputs	2 x transistor + 1 x 4-20 mA (2 wire)	5-pin M12 male fixed connector	560884	561884
4 outputs	2 x transistor + 2 x 4-20 mA (3 wire)	5-pin M12 male and 5-pin M12 female	560885	561885

Note: The following items must be ordered separately
The SE36 electronic module and the S030 fitting
M12 cable plugs (only female for single 4-20 mA, 1 male + 1 female for dual 4-20 mA transmitter)