

# MSI-8004HD

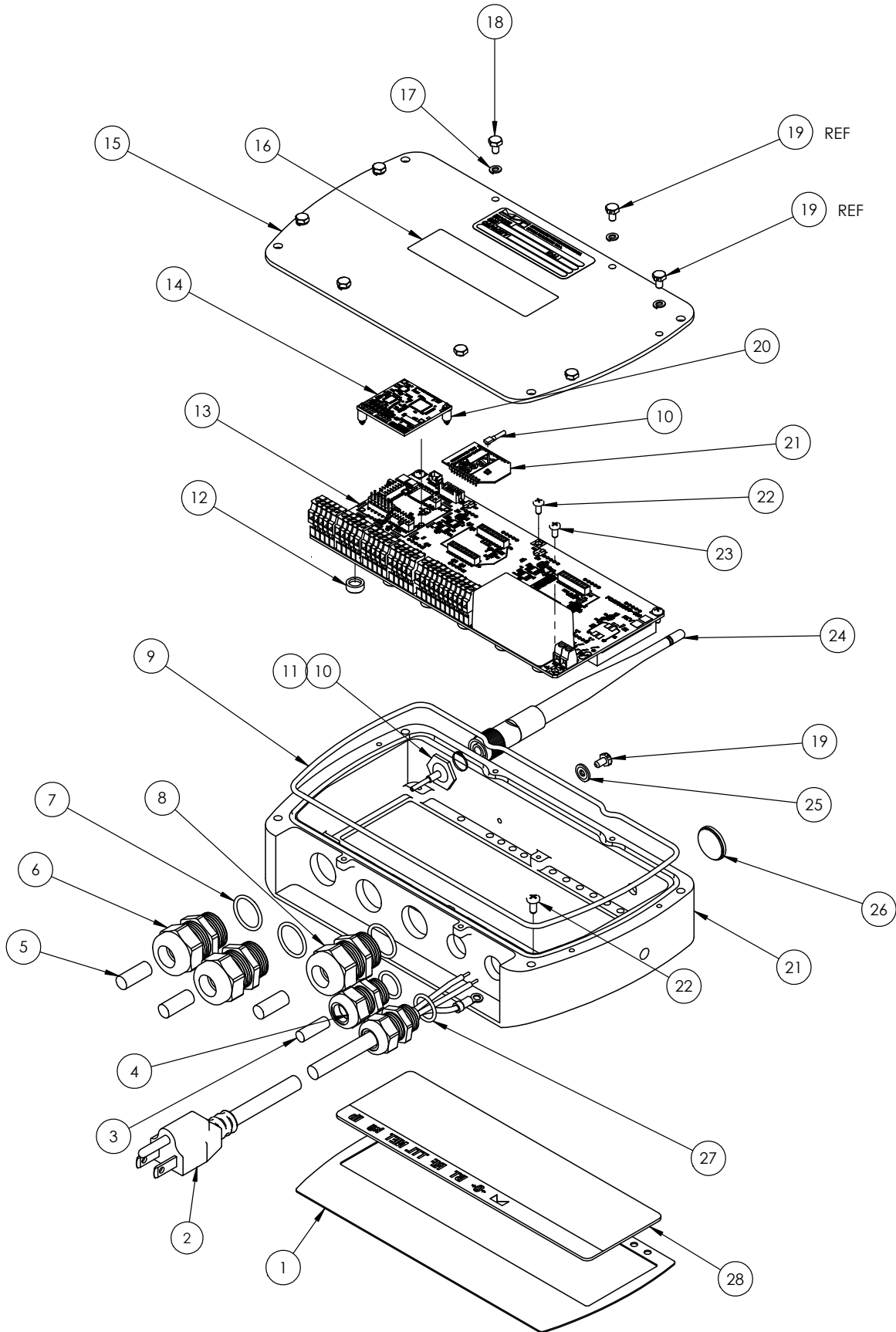
Indicator AC



## Part Number/Price

Item #	Part #	Description	Price
1	178180	Overlay, standard	\$40.00
2	160518	Power cord AC in	\$43.00
3	141991	Pin round acetal 0.25 in diameter	\$0.75
4	141593	Conn feed through liquid	\$7.00
5	142554	Pin round acetal 0.312 in diameter	\$0.75
6	177368	Conn, feed through, liquid	\$5.00
7	177366	O-ring, PG13, Buna-N	\$2.00
8	177364	Conn feed through	\$5.00
9	153110	O-ring 7-1/4 x .103	\$5.00
10	152051	Cable assembly RF coax	\$30.00
11	153793	O-ring 1/2 ld x .070	\$2.00
12	177362	Key cap, SMS switches	\$2.00
13	176192	PCA 8004 indicator green/red	\$920.00
14	153431	PCA ScaleCore3 4-channel	\$280.00
15	152034	Cover fixed mount 8000	\$49.00
16	159855	Overlay TranSend FCC	\$5.00
17	146538	Washer split lock stainless steel #6	\$2.00
18	146022	Bolt hex head 6-32 x 1/4 cap stainless steel	\$3.50
19	143271	Screw mach hex head	\$7.00
20	144929	Spacer miniature dual	\$6.25
21	144773	Radio module Xbee-pro	\$136.50
22	144537	Screw LKG PCH pan head 6-32	\$0.75
	142233	Screw, pan head, locking, 4-40 x 3/16, Phillips, stainless steel	\$2.25
23	146543	Screw pan head 4-40 x 1/4 nylon	\$0.75
24	143283	Antenna 2.4 GHz	\$64.00
25	143272	Washer seal #6 steel	\$3.50
26	158438	Plug diameter 0.750 in with adhesive	\$13.00
27	177363	O-ring, PG9, Buna-N	\$0.75
28	177579	LED filter med grey	\$29.00

REPLACEMENT PARTS



REPLACEMENT PARTS