

Dyna-Clamp

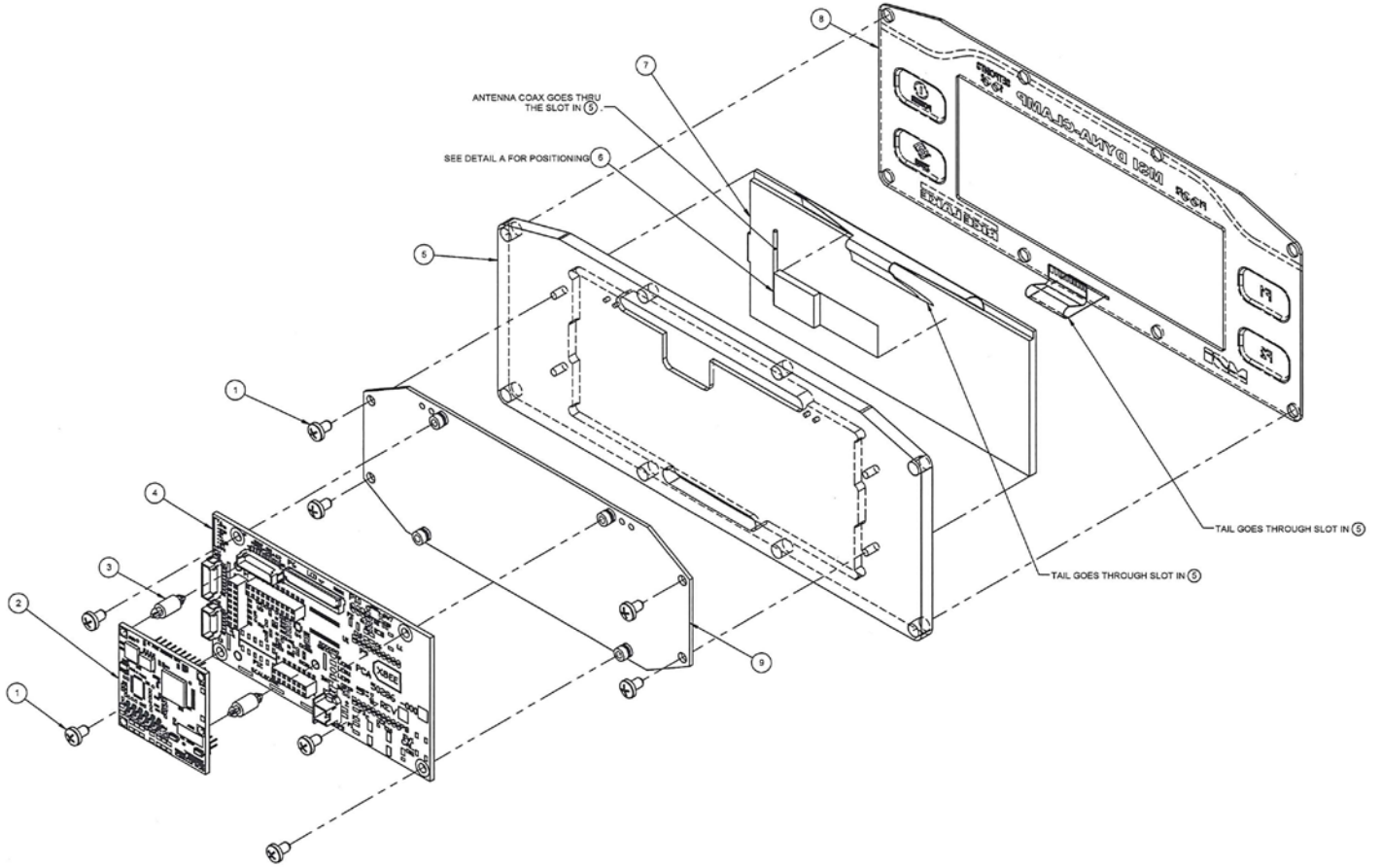
Display Assembly



Part Number/Price

Item #	Part #	Description	Price
1	142233	Screw, pan head, locking, 4-40 × 3/16, Phillips, stainless steel	\$2.25
2	153431	PCA scalecore 3 4-channel with board to board header (not field installable)	\$280.00
3	144929	Spacer miniature dual locking 6 mm long	\$6.25
4	151918	PCA 6-digit LCD 7300	\$650.00
5	189582	Front plate LCD mount	\$235.00
6	197204	Antenna, 2.4 GHz, 2dBi with u.fl cable, 100 mm	\$14.00
7	186658	LCD module dual line 4.5 × 2.0 in (6 primary display digits) line tension check lcd display	\$34.00
8	191640	Overlay with dome switches	\$145.00
9	191813	Mounting plate electronics	\$44.00

REPLACEMENT PARTS



REPLACEMENT PARTS