

# MSI-4260M Marine

Front Assembly



## Part Number/Price

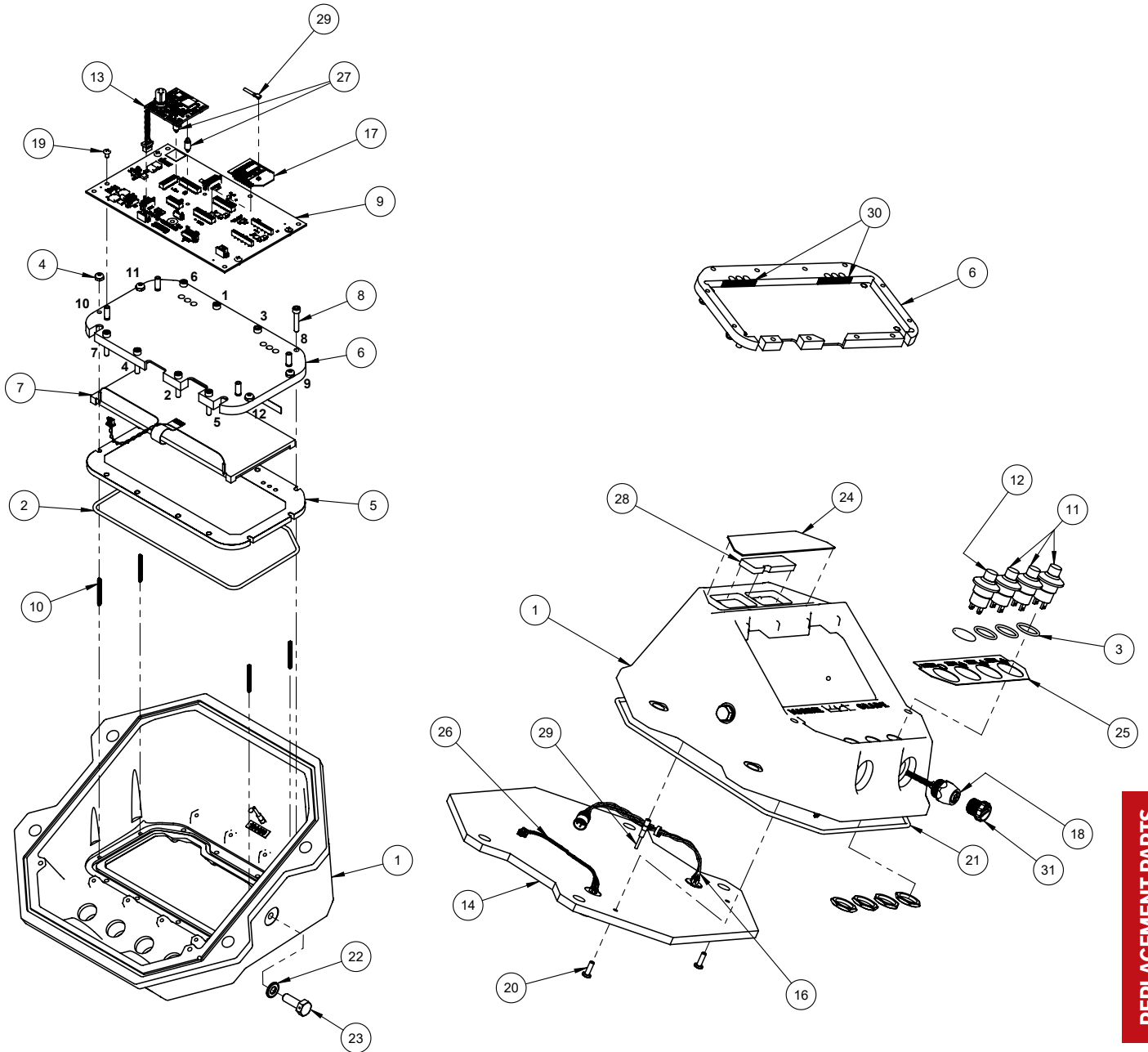
Item #	Part #	Description	Price
1	194469	Front casting 4260M	\$450.00
2	182066	O-ring 5.707 × .103	\$2.10
3	146251	O-ring ID .614 × .070 70 durometer	\$2.10
4	146625	Nut hex 4-40 nyloc stainless steel	\$2.10
5	196523	Window LCD 4260M	\$105.00
6	196524	Bracket LCD and electronics 4260M	\$105.00
7	195333	LCD display module 4260M	\$120.00
8	79567	Screw socket head 6-32 × 3/4 stainless steel	\$1.00
9	191081	PCA LCD 4260M	\$410.00
10	196566	Screw set 4-40 × 1.0 lg cp stainless steel	\$2.10
11	147563	Switch, black, watertight	\$46.00
12	147562	Switch, red, watertight	\$48.00
13	137805	PCA Scalecore 1 channel with turck insert	\$280.00
14,16,26	196276	Bulkhead assembly front 4260M	\$305.00
15	139448	Cable assembly switch harness 4260B (not shown)	\$22.00
16	139471	Cable assembly bulkhead lc 4260B/4260M	\$66.00
17	144773	Radio module XBEE-PRO 802.15.4 U.FL connect	\$136.50
18	139449	Cable assembly comm serial data RS-232 4260B/4260M	\$56.00
19	146593	Screw pan head 4-40 × 3/16 Phillips stainless steel	\$1.00
20	146604	Screw pan head 6-32 × 7/16 Phillips stainless steel	\$1.00
21	149724	O-ring assembly front casting paw/Trans-Weigh 4260M	\$14.00
22	142472	Washer seal Stat-O-Seal® 1/4 inch	\$4.50
23	144333	Screw hex head 1/4-20 × .75 drilled hd zinc pltd	\$5.25
24	195104	Overlay, descriptive 4260M	\$31.00
25	194709	Overlay switch 4260M	\$32.00
26	139472	Cable assembly bulkhead power 4260B/4260M	\$49.00
27	144929	Spacer mini dual locking .1 hole × 6 mm long	\$6.25
28	143454	Antenna 2.4GHz patch with straight mmcx	\$110.00
29	139450	RF cable assembly mmcx str jack - U.FL 175 mm	\$25.00
30	197592	Light shield blackout .235 × 1.25 peel & stick	\$4.25
31	143352	Conn closure cap IP68 male	\$3.25

Note: Items 14, 16 and 26 add new item for the assembly

REPLACEMENT PARTS

# MSI-4260M Marine

Front Assembly



REPLACEMENT PARTS