

# MSI-9020 CellScale

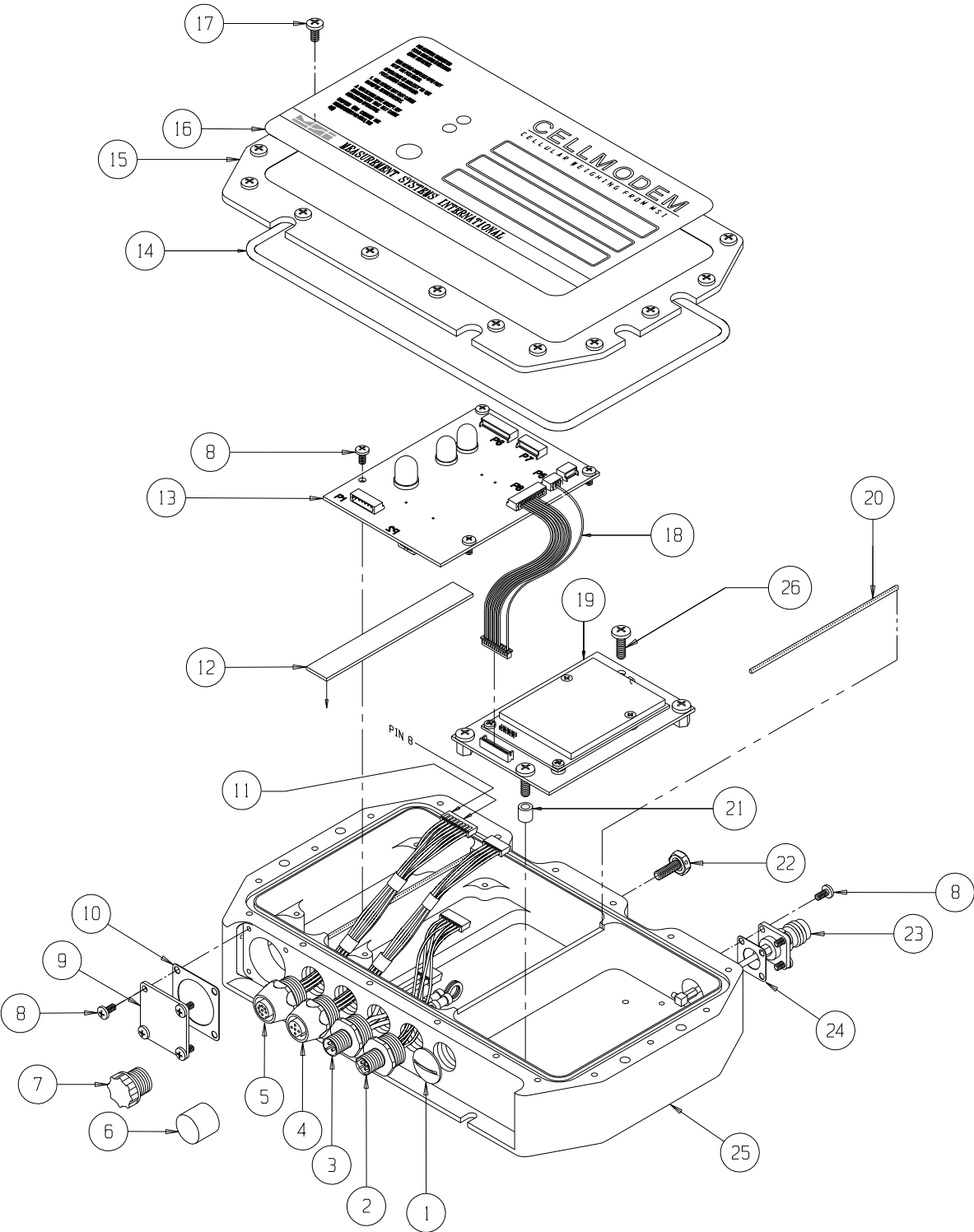


## Part Number/Price

Item #	Part #	Description	Price
1	143746	Closure cap, connector	\$13.00
2	148988	Connector assembly, power & switch input	\$72.00
3	148811	Connector assembly, power input	\$125.00
4	149000	Connector assembly, RS422	\$105.00
5	137503	Connector assembly, RS232	\$170.00
6	143353	Closure cap, connector, female	\$2.25
7	143352	Closure cap, connector, male	\$3.00
8	144536	Screw, pan head, 4-40 x 1/4, Phillips, stainless steel	\$1.00
9	148630	Plate, cover	\$70.00
10	142500	Gasket	\$7.75
11	143696	Connector, housing	\$1.00
12	143309	Pad, thermal, conductive, 3.6 x .5 x .1	\$17.00
13	137528	PCA, power supply, AC	\$1,250.00
14	148488	O-Ring assembly	\$14.00
15	148566	Cover, enclosure	\$235.00
16	148794	Label, descriptive	\$170.00
17	142197	Screw, pan head, 6-32 x 5/16, Phillips, stainless steel	\$2.25
18	149125	Cable assembly, power supply to 2450 adapter	\$92.00
19	138306	PCA, with 2450 modem assembly	\$675.00
20	143307	Gasket, foam filled mesh, EMI	\$4.50
21	144227	Spacer, #6, 1/4	\$3.50
22	142591	Screw, seal, 8-32 x .4375, stainless steel	\$24.00
23	148680	Cable assembly, antenna	\$98.00
24	143336	Gasket, flange	\$10.50
25	148683	Enclosure	\$830.00
26	146605	Screw, pan head, 6-32 x 1/2, Phillips, stainless steel	\$0.75

REPLACEMENT PARTS

# MSI-9020 CellScale



REPLACEMENT PARTS