

MSI-9600HT

Front Casting Assembly



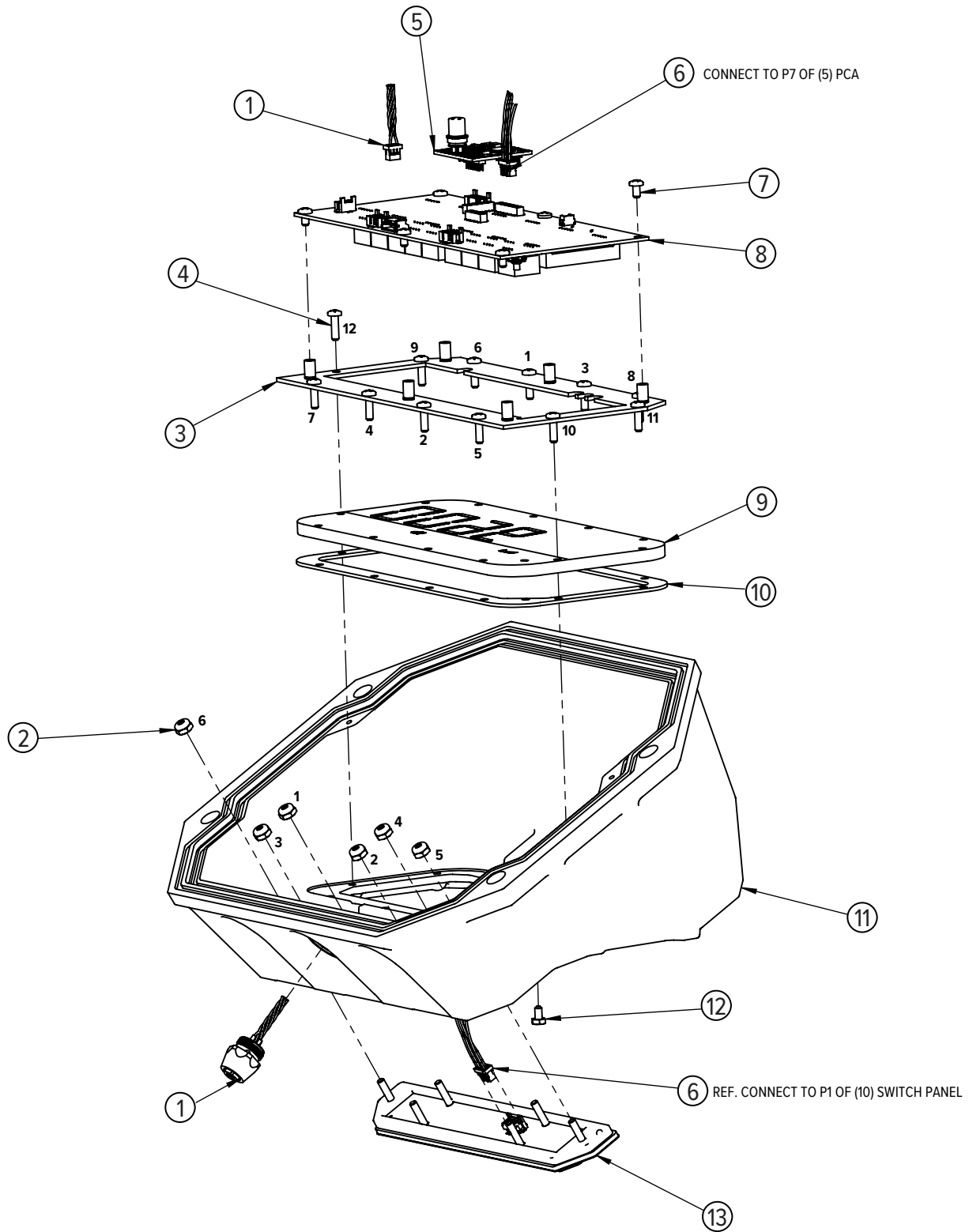
Part Number/Price

Item #	Part #	Description	Price
1	139449	Cable assembly, communication serial data RS-232	\$56.00
2	128445	Nut, hex 6-32 nyloc stainless steel	\$1.00
3	213965	Bracket, display PCA	Consult
4	216445	Screw, pan head 6-32 x 1/2 Phillips head zinc plated torx drive	\$0.50
5	153429	PCA ScaleCore3 1 channel with turck insert - controlled	\$280.00
6	214142	Cable assembly switch	\$29.00
7	144537	Screw, lkg pch pan head 6-32 x 1/4 Phillips stainless steel	\$1.00
8	212425	PCA LED display	\$690.00
9	213973	Window, ND gray	Consult
10	214763	Gasket, display window	Consult
11	213628	Casting front machined	\$420.00
12	142574	Screw hex head stainless steel blk 6-32 1/4	\$4.20
13	213678	Switch panel assembly	\$215.00

REPLACEMENT PARTS

MSI-9600HT

Front Casting Assembly



REPLACEMENT PARTS