

# MSI-6360

Front Casting Assembly



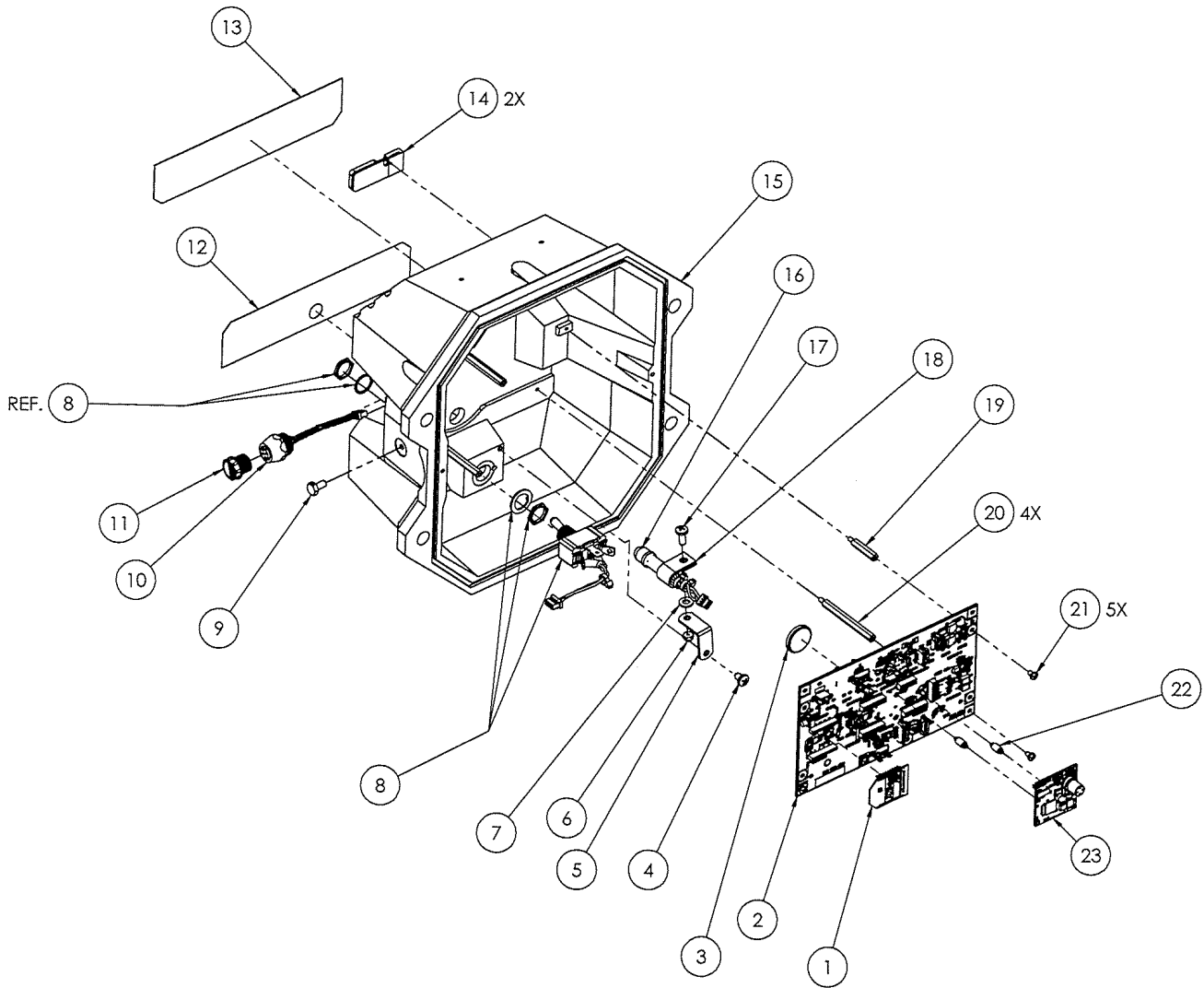
## Part Number/Price

Item #	Part #	Description	Price
1	144773	Radio module Xbee-pro	\$136.50
2	212607	PCA 6360 no display	Consult
3	71408	Battery, lithium CR2032	\$6.00
4	146606	Screw pan head 8-32 x 1/4 stainless steel	\$0.75
5	215863	Bracket angle steel #8	\$25.00
6	146629	Nut, hex 8-32 nyloc stainless steel	\$0.50
7	146531	Washer flat #8 stainless steel	\$1.00
8	215842	Cable assembly, toggle switch	\$135.00
9	142591	Screw seal dr hh 8-32	\$24.00
10	139449	Cable assembly, comm serial	\$56.00
11	143352	Conn closure cap IP68	\$3.25
12	215973	LED/capacity label 6360	\$65.00
13	215948	Label descriptive 6360	\$40.00
14	201823	Antenna assembly 2.4GHz patch	\$37.00
15	215840	Front casting machined	\$345.00
16	215912	Cable assembly, red/green LED	\$202.00
17	146608	Screw pan head 8-32 x 7/16 Phillips	\$1.00
18	143075	Cable clamp .375 diameter	\$2.00
19	215938	Standoff 3/16 hex x 0.875	Consult
20	215935	Standoff 3/16 hex x 2.00	Consult
21	146593	Screw pan head 4-40 x 3/16 Phillips	\$1.00
22	144929	Spacer miniature dual	\$6.25
23	153429	PCS ScaleCore3 1-channel	\$280.00

REPLACEMENT PARTS

# MSI-6360

Front Casting Assembly



REPLACEMENT PARTS