

Mettler Toledo® DigiTOL® Retrofit Kit

Stainless Steel, Rice Lake Weighing Systems/Flintec

RC1 Load Cells



Shown here with the JB8SP signal trim junction box. Picture is a representation of actual product.

Load Cell Approvals



DigiTOL Retrofit Order information

Description	Part #	Price
8 mount kit (RC1 - 250 kN) 1 JB8SP junction box	78713	\$9,485.00
10 mount kit (RC1 - 250 kN) 2 JB8SP junction boxes	78714	\$11,535.00
12 mount kit (RC1 - 250 kN) 3 EL304 junction boxes	152774	\$14,225.00

Complete Kit Includes

- Eight, ten or twelve Flintec NTEP Certified RC1-250 kN or RC3-50t stainless steel, hermetically sealed rocker column load cells with cups
- One JBSP NEMA Type 4X signal trim junction box or one EL204
- 100 ft of hostile environment EL147HE SURVIVOR® load cell cable

Standard Features

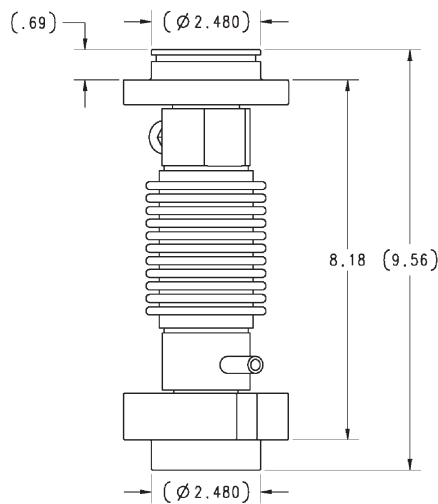
- Load cells are NTEP Certified 1:10,000 divisions, Class III*
- Converts existing Mettler-Toledo DigiTOL scale to an analog based load cell weighing system
- Rocker design load cells
- Load cups
- One-year limited warranty

*Consult your local Weights & Measures Authorities for local Legal for Trade requirements

Applications

- Mettler Toledo® DigiTOL® truck scale conversion

WEIGH MODULES



RC1-250KN