

RC1

Stainless Steel, Hermetically Sealed, NTEP Certified 1:10,000 Multiple Cell, OIML C3, IP68



Picture is a representation of actual product.

Approvals



Order Information

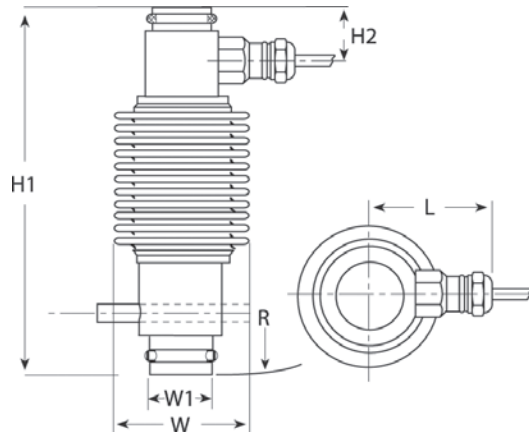
Load Rating	Part #	Est. Weight	Price
250 kN*	36217	8 lb	\$858.00
400 kN	36218	10 lb	\$1,457.00
50,000 lb**	170734	8 lb	\$1,075.00
Accessories			
Conduit adapter, 1/2-14 NPT	17703	1 lb	\$50.00
Load cup**, upper (250 kN only)	71602	-	\$195.00
Load cup**, lower (250 kN only)	44290	-	\$195.00
Anti-rotation pin	214044	-	\$10.00

*For Mettler-Toledo® digital to analog conversion: requires replacement of all system load cells, junction box, and instrumentation; consult factory. Kit on page 90.

**1,000ohm bridge

Dimensions

Rated Capacity	H1	H2	L	R	W	W1
kN/in						
250	7.56	1.22	2.44	10.98	2.83	1.46
400	8.86	1.34	2.72	14.02	3.35	1.46
50,000 lb	7.56	1.22	2.44	10.98	2.83	1.46



Interchangeable Products

FAIRBANKS®
63215 LCF-HR4020-1
 FAIRBANKS®
82052

Specifications

- Full Scale Output:**
2.0 mV/V
mV/V/ohm calibration
- Output Resistance:**
351 (± 1) ohm
P/N 170734 1,000 (± 2) ohm
- Input Resistance:**
400 (± 15) ohm
P/N 170734 1,100 (± 50) ohm
- Material/Finish:**
Stainless steel
- Temperature:**
Compensated range
14 °F to 104 °F (-10 °C to 40 °C)
Operating range
0 °F to 150 °F (-18 °C to 65 °C)
- Seal Type:**
Hermetically sealed, IP68
- Safe Overload:**
200% full scale
- Safe Sideload:**
100% full scale
- Rated Excitation:**
5 to 10 VDC (15 V maximum)
- Combined Error:**
± 0.02% full scale
- Insulation Resistance:**
5,000 megohm
- Cable Length:**
250 kN: 35 ft
400 kN: 60 ft
50,000 lb: 15 ft overbraid
- Cable Diameter:**
0.196 in
Polyurethane jacket
- Cable Color Code:**
Green +Excitation
Black -Excitation
White +Signal
Red -Signal
Yellow Shield
- Warranty:**
One-year limited
- Approvals:**
FM
NTEP
OIML