

MSI-3460

Battery Charger Assembly



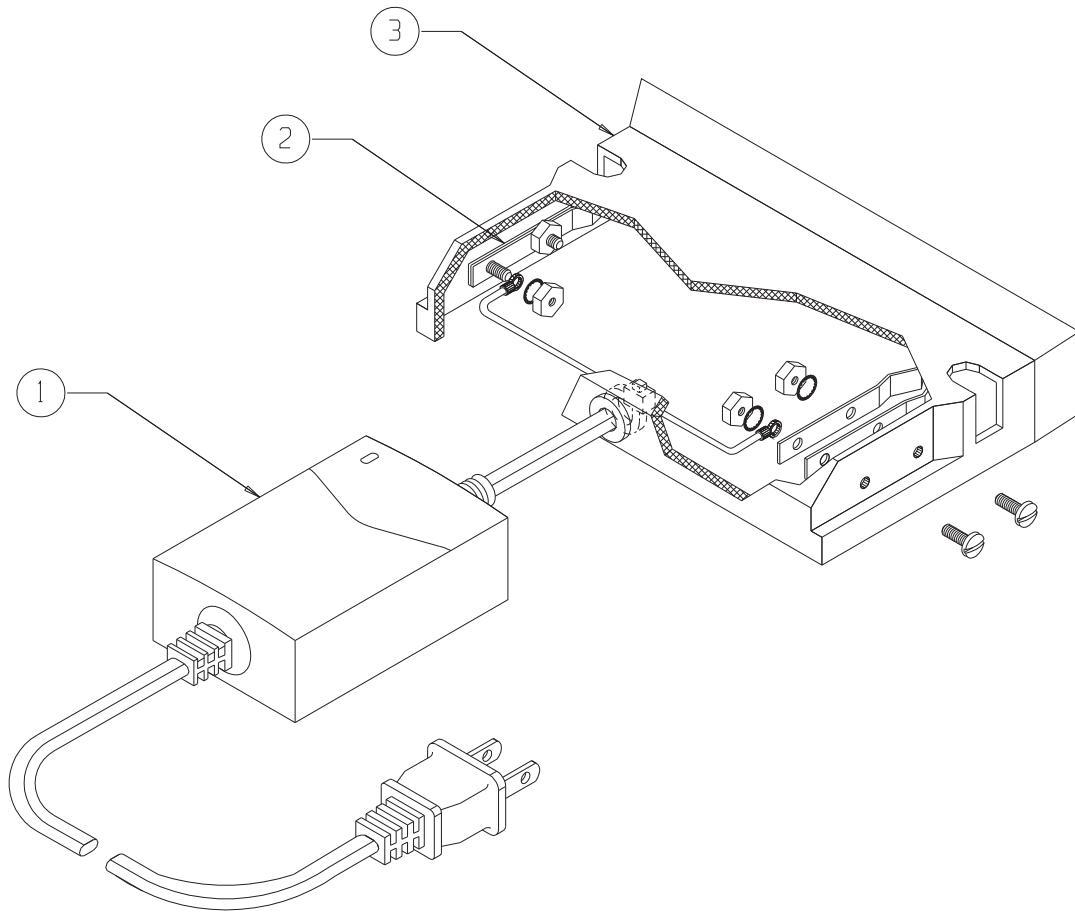
Part Number/Price

Item #	Part #	Description	Price
1	162172	Charger, 6V universal input	\$70.00
2	150038	Clip, battery terminal	\$7.35
3	150055	Enclosure	\$38.00
	139152	Battery charger assembly, US plug	\$200.00
	139153	Battery charger assembly, European plug	\$200.00
	139154	Battery charger assembly, no plug	\$190.00

REPLACEMENT PARTS

MSI-3460

Battery Charger Assembly



REPLACEMENT PARTS