

# MSI-7000HD

4 CH 85-265 VAC



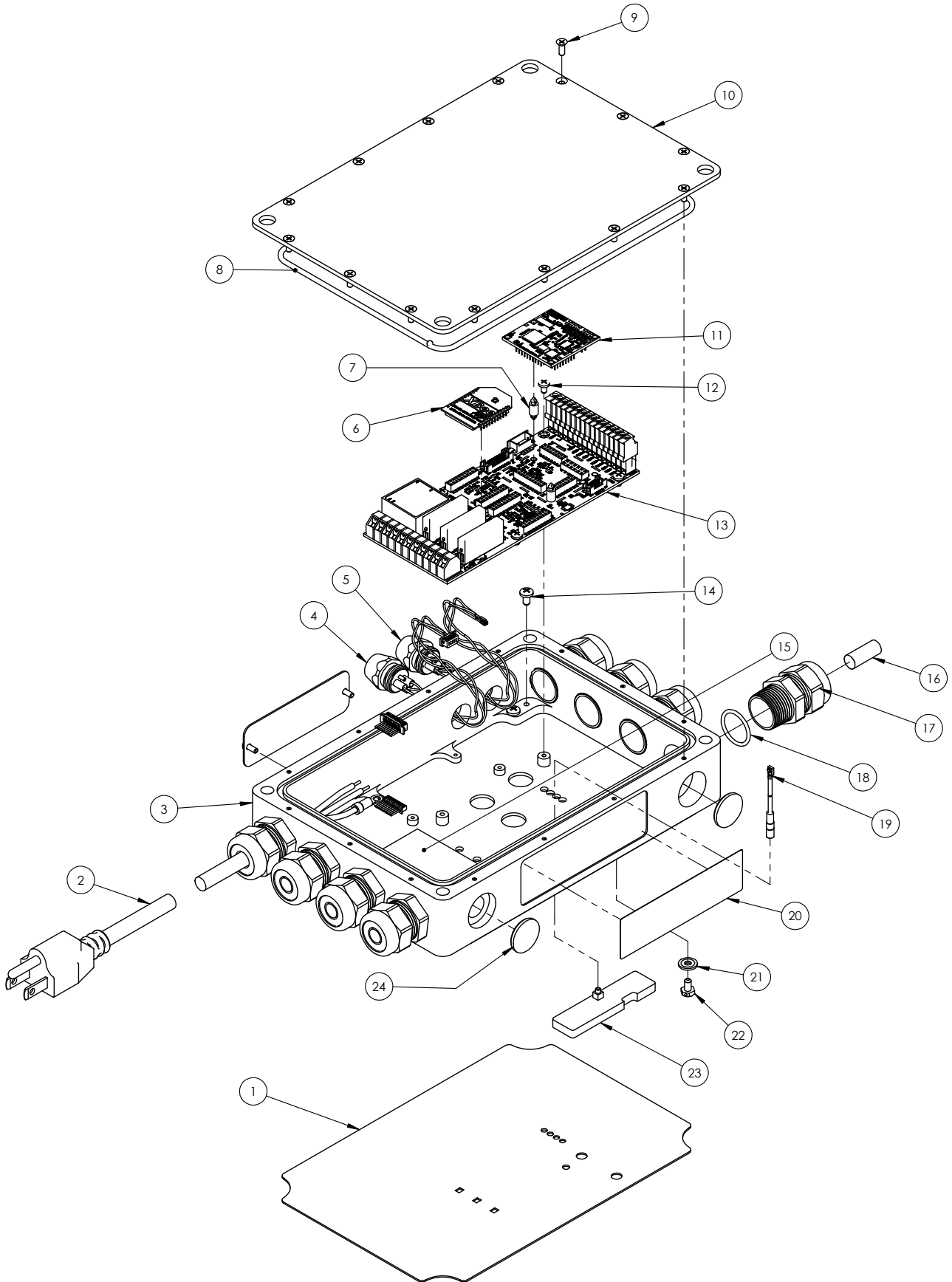
## Part Number/Price

Item #	Part #	Description	Price
1	178160	Overlay	\$37.00
2	179558	Power cord AC in	\$30.00
3	178022	Enclosure	\$400.00
4	178557	Cable assembly serial comm	\$235.00
5	178491	Cable assembly serial comm	\$51.00
6	144773	Radio module Xbee-pro	\$136.50
7	144929	Spacer miniature dual	\$6.25
8	174106	O-ring	\$2.00
9	146553	Screw pan head 4-40 × 5/16 Phillips	\$0.75
10	178172	Cover standard	\$100.00
11	153431	PCA ScaleCore3 4-channel	\$280.00
12	142233	Screw, pan head, locking, 4-40 × 3/16, Phillips, stainless steel	\$2.25
13	175315	PCA dual modem, ac	\$315.00
14	144537	Screw lkg pch pan head 6-32	\$0.75
15	174214	Insulator AC and relays	\$7.50
16	142554	Pin round acetal 0.312 diameter	\$0.75
17	142229	Conn feed through liquid	\$9.00
18	181774	O-ring AS568-018 neoprene	\$0.75
19	139450	RF cable assembly MMCX str	\$25.00
20	159855	Overlay TranSend FCC	\$5.00
21	143272	Washer seal #6 steel	\$3.50
22	143271	Screw mach hex head	\$7.00
23	143454	Antenna 2.4 GHz patch	\$110.00
24	158438	Plug diameter 0.750 with adhesive	\$13.00

REPLACEMENT PARTS

# MSI-7000HD

4 CH 85-265 VAC



REPLACEMENT PARTS