

MSI-7001HD

2 CH 85-265 VAC



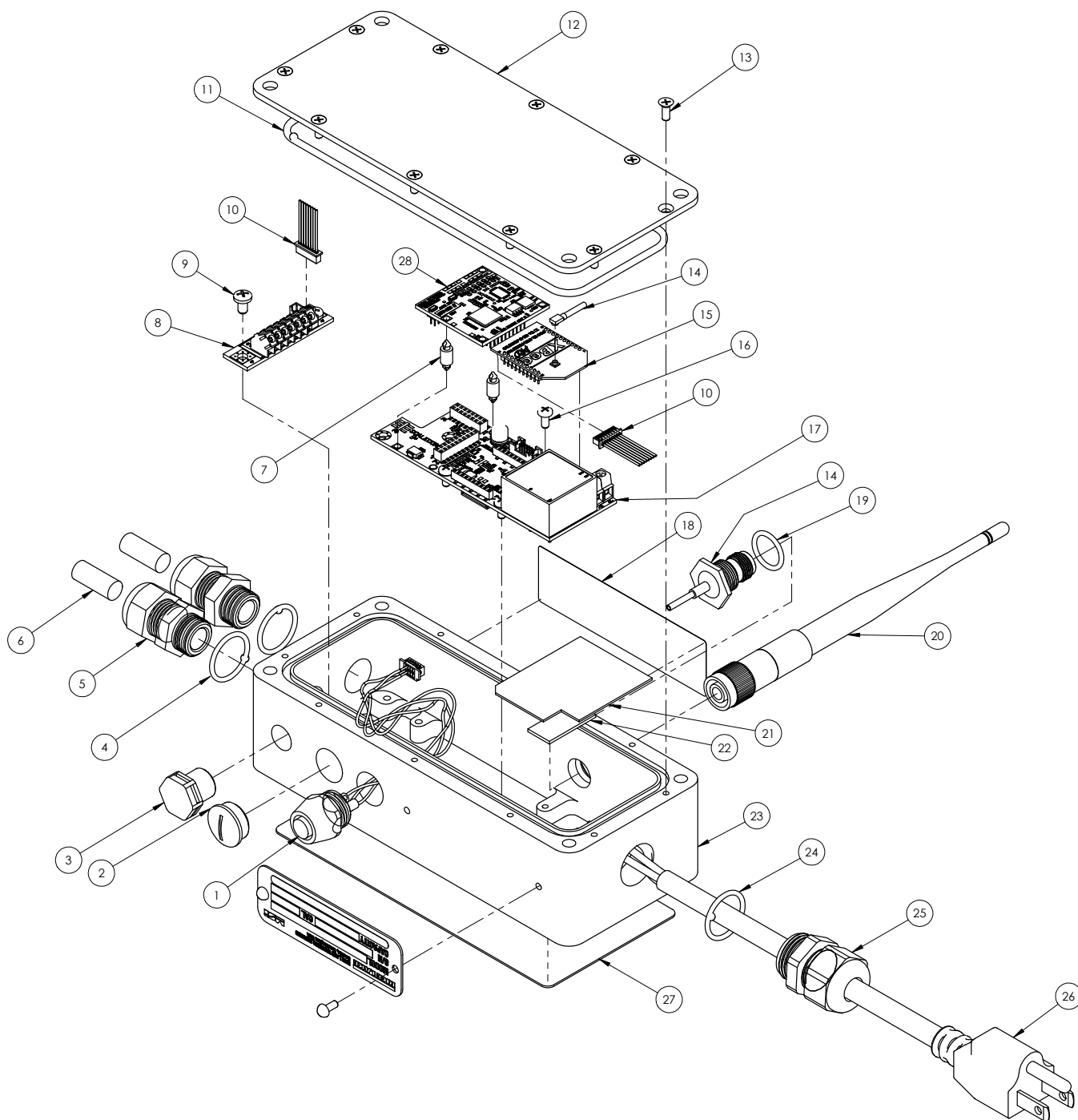
Part Number/Price

Item #	Part #	Description	Price
1	178557	Cable assembly serial comm	\$235.00
2	143746	Plug domed PG9 IP65	\$13.00
3	88733	Vent, breather sealed	\$22.00
4	177363	O-ring, PG9, Buna-N, 8004	\$0.75
5	141593	Conn feed through liquid	\$7.00
6	142554	Pin round acetal 0.312 diameter	\$0.75
7	144929	Spacer miniature dual	\$6.25
8	179595	PCA 7001HD LC term blk	\$235.00
9	146601	Screw pan head 6-32 x 1/4 Phillips	\$0.75
10	182635	Cable assembly int load cell	\$37.00
11	181832	O-ring	\$1.00
12	179213	Enclosure cover	\$30.00
13	146553	Screw flat head 4-40 x 5/16 Phillips	\$0.75
14	152051	Cable assembly RF coax	\$30.00
15	144773	Radio module Xbee-pro	\$136.50
16	128088	Screw 4-40 x 1/4 pan head Phillips	\$1.00
17	176036	PCA 7001A, AC power supply	\$290.00
18	159855	Overlay TranSend FCC	\$5.00
19	153793	O-ring 1/2 ID x .070	\$2.00
20	143283	Antenna 2.4 GHz	\$64.00
21	181880	Insulator AC	\$2.25
22	148591	Adhesive pad	\$2.25
23	178490	Enclosure	\$140.00
24	146251	O-ring 70 durometer	\$2.10
25	142885	Conn feed through liquid	\$7.00
26	179558	Power cord AC in	\$30.00
27	179390	Overlay	\$21.00
28	153430	PCA ScaleCore3 2-channel	\$210.00

REPLACEMENT PARTS

MSI-7001HD

2 CH 85-265 VAC



REPLACEMENT PARTS