

MSI-9300

Front Casting Assembly



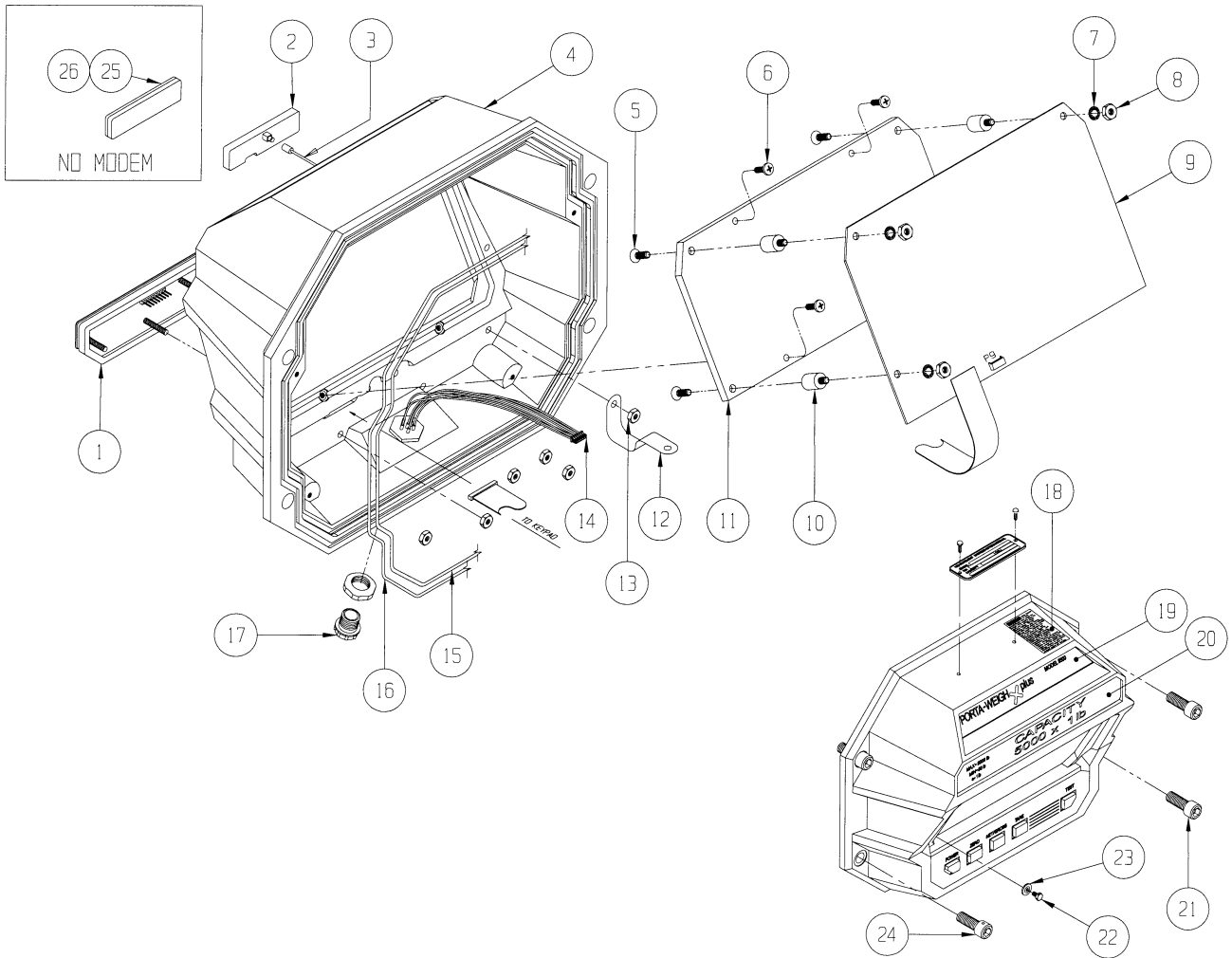
Part Number/Price

| Item # | Part # | Description | Price |
|--------|---------|---|----------|
| 1 | 136324 | Switch assembly | \$320.00 |
| 2 | 143454 | Antenna housing with straight MMCX connector | \$110.00 |
| 3 | 148874 | Cable assembly antenna | \$140.00 |
| 4 | 148824 | Casting | \$475.00 |
| 5 | 54356 | Screw, flat head, 8-32 x 3/8, Phillips, stainless steel | \$2.00 |
| 6 | 146604 | Screw, pan head, 6-32 x 7/16, Phillips, stainless steel | \$0.75 |
| 7 | 15132 | Washer internal tooth #8, stainless steel | \$1.50 |
| 8 | 65784 | Nut, hex, 8-32, stainless steel | \$0.25 |
| 9 | 148700 | PCA, LED display | \$550.00 |
| 10 | 142526 | Shock mount flex, 8-32 | \$17.00 |
| 11 | 148826 | Window | \$180.00 |
| 12 | 139844 | Ground strap | \$13.00 |
| 13 | 128445 | Nut, hex, 6-32, stainless steel | \$1.00 |
| 14 | 148854 | Cable assembly external comm | \$125.00 |
| 15 | 147997 | O-ring, bulkhead | \$18.00 |
| 16 | 147996 | O-ring, front/back | \$19.00 |
| 17 | 143352 | Connector cap | \$3.25 |
| 18 | 148218 | Label, warning | \$6.25 |
| 19 | 148867 | Label, descriptive | \$51.00 |
| 20 | Consult | Label, capacity | \$17.00 |
| 21 | 91869 | Screw, socket head, 3/8-16 x 1, stainless steel | \$2.00 |
| 22 | 142574 | Screw, pan head, 6-32 x 1/4, stainless steel | \$4.20 |
| 23 | 142299 | Washer, seal | \$2.00 |
| 24 | 133598 | Screw, 3/8-16 x 1, stainless steel, drilled | \$25.00 |
| 25 | 148902 | Pad | \$7.50 |
| 26 | 148901 | Filler plate | \$42.00 |

REPLACEMENT PARTS

MSI-9300

Front Casting Assembly



REPLACEMENT PARTS