

MSI-4260B

Front Casting Assembly



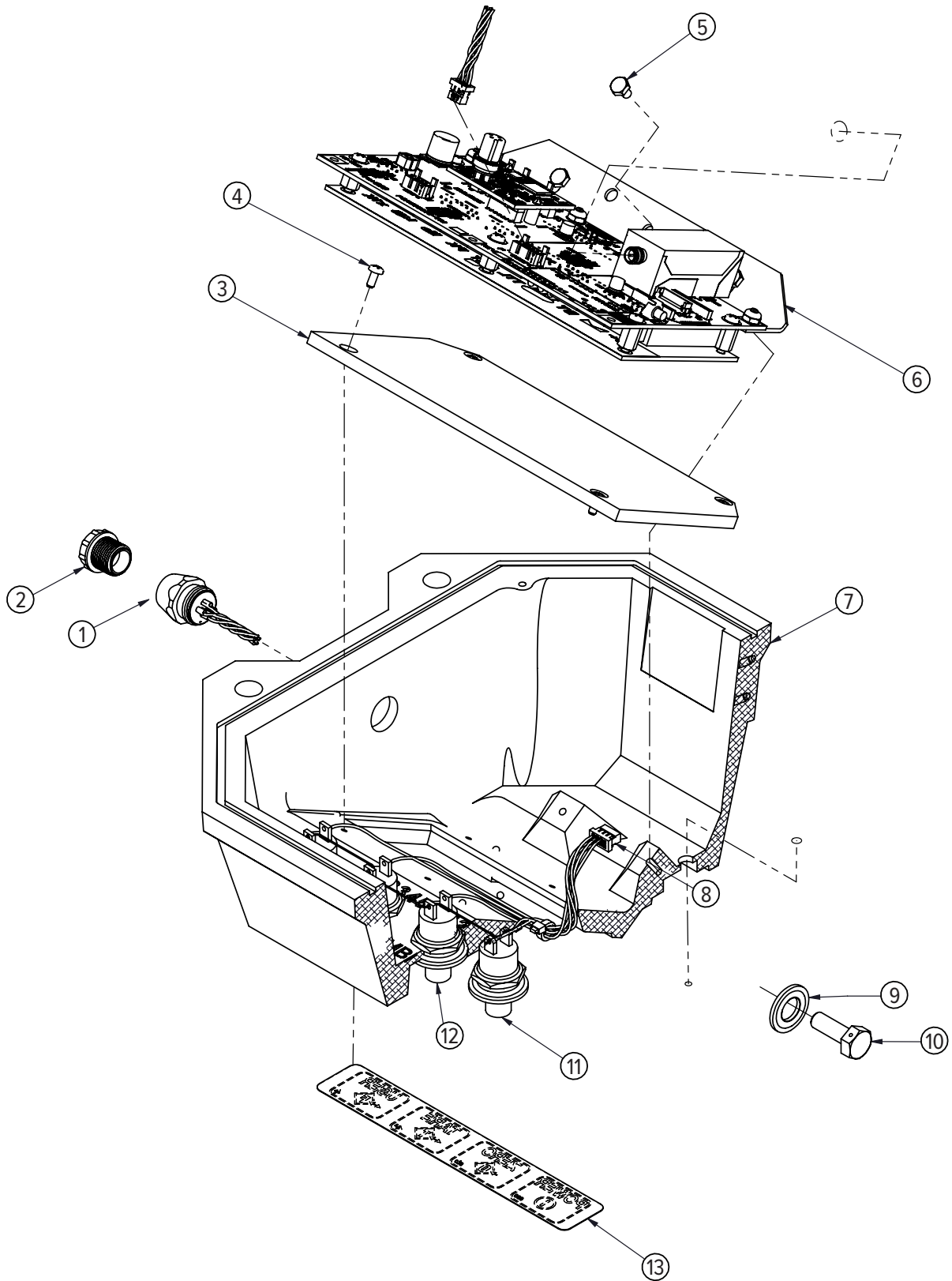
Part Number/Price

Item #	Part #	Description	Price
1	139449	Cable assembly comm serial data RS-232	\$56.00
2	143352	Conn closure cap IP68 male	\$3.25
3	149488	Window LED	\$59.00
4	128088	Screw 4-40 × 1/4 pan head Phillips drive 18-8 stainless steel	\$1.00
5	142197	Screw, pan head 6-32 × 5/16 long Phillips drive stainless steel with locking patch material applied	\$2.25
6	139427	Assembly electronics 5-digit	\$1,250.00
7	149481	Front casting and machining	\$405.00
8	139448	Cable assembly switch harness	\$22.00
9	142472	Washer seal Stat-O-Seal® 1/4 in	\$4.50
10	153203	Screw hex 1/4-20 × 0.375 UNC drilled head stainless steel	\$11.00
11	147562	Switch P3-31111W watertight red	\$48.00
12	147563	Switch P3-31112W watertight black	\$46.00
13	149506	Label switch	\$14.00
14	153429	PCA ScaleCore3 1-channel w/turck insert	\$280.00

REPLACEMENT PARTS

MSI-4260B

Front Casting Assembly



REPLACEMENT PARTS