

MSI-4260C

Mid-Section Assembly (S-Beam Load Cell) (500 to 10,000 lb)



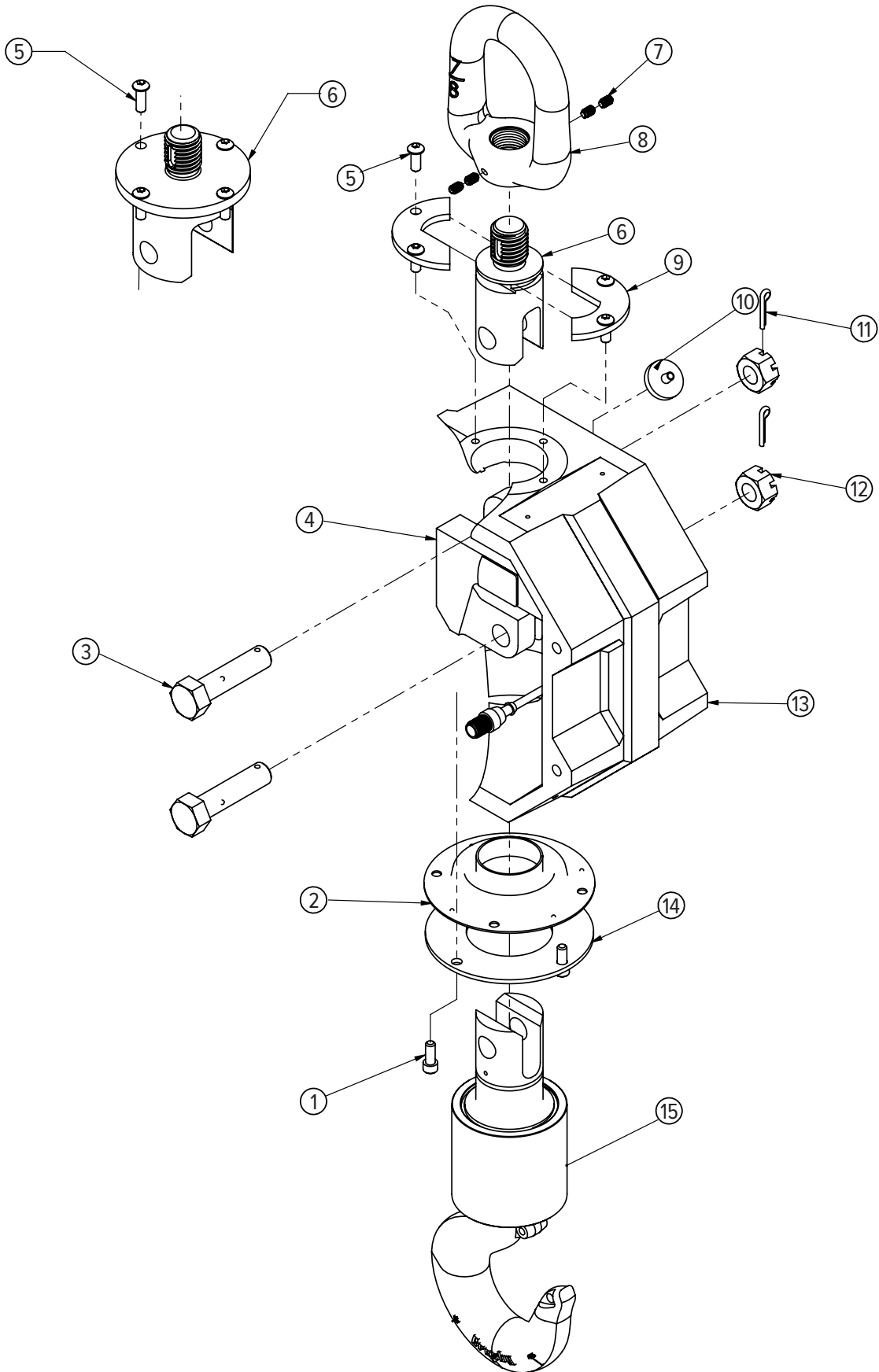
Part Number/Price

Item #	Part #	Description	Price
1	145990	Screw socket head 1/4-20 x 5/8 stainless steel	\$2.10
2	149710	Seal link lower	\$49.00
3	148457	Bolt clevis hex head 5/8 x 1.75 grip with thread protectors	\$26.00
	149217	Bolt clevis hex head 5/8 x 2.75 grip with thread protectors	\$34.00
4	138661	Load cell assembly 500 lb s-beam	\$1,270.00
	138662	Load cell assembly 1K/2K s-beam	\$1,270.00
	138663	Load cell assembly 5K s-beam	\$1,650.00
	138664	Load cell assembly 10K s-beam	\$1,780.00
5	72031	Screw, cap 1/4-20NC x 5/8 hex socket button head stainless steel	\$1.25
6	148271	Upper link 500#/10K	\$255.00
7	128799	Screw, set 1/4-20 x 3/8 socket head cup point 18-8 stainless steel	\$1.00
8	139795	Eye nut #7 500# - 2K	\$210.00
	148225	Eye nut 5/10K	\$280.00
9	148274	Collar top half 500#/10K	\$40.00
10	146322	Filter millipore	\$9.50
11	15238	Pin, cotter 1/8 x 1 extended prong stainless steel	\$1.25
12	142832	Nut hex slotted 5/8 - 11	\$2.10
13	149175	Casting mid section 5K	\$355.00
14	148259	Collar 500#/10K	\$49.00
	149168	Collar 10K s-beam 9300	\$65.00
15	135043	Swivel hook assembly 500#/2K	\$1,700.00
	143236	Latch safety assembly 500#/2K	\$26.00
	134523	Swivel hook assembly 5/10K s-beam	\$1,380.00
	143233	Latch safety assembly 5/10K	\$42.00

REPLACEMENT PARTS

MSI-4260C

Mid-Section Assembly (S-Beam Load Cell) (500 to 10,000 lb)



REPLACEMENT PARTS