

JB4SS

TuffSeal® Signal Trim Junction Box



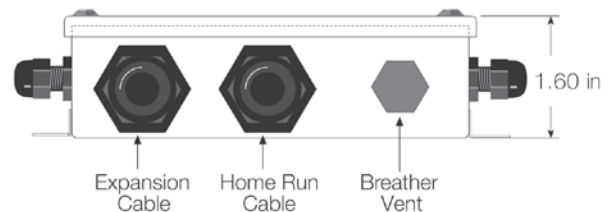
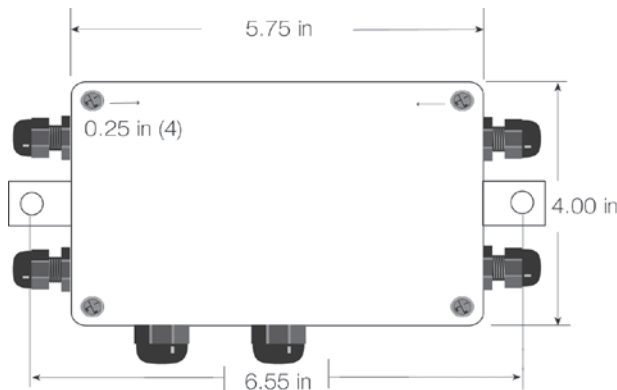
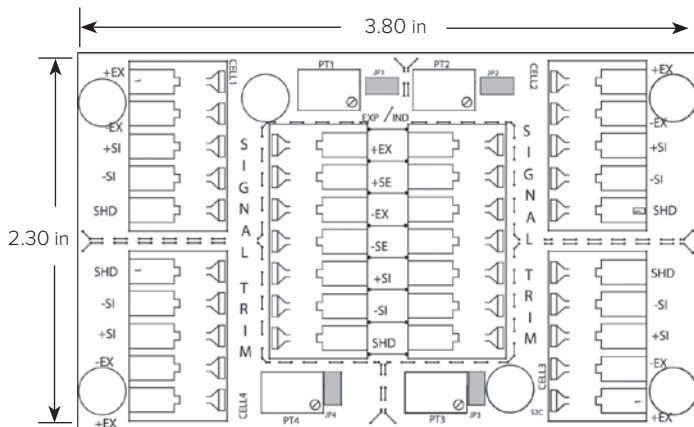
Approvals



Part Number/Price

Part #	Description	Price
88956	JB4SS signal trim junction box with PG7 cord grips for load cells	\$275.00
107700	JB4SS signal trim junction box with PG9 cord grips for load cells	\$290.00
88958	Board only	\$175.00
182990	Board only with standoffs	\$180.00
165271	Enclosure only (includes cord grips and filter)	\$150.00

Note: Do not mix junction box models or use other brands of junction boxes with Rice Lake junction boxes. There is a risk of system instability.



Standard Features

- Stainless steel, NEMA Type 4X enclosure
- Jumpers to enable/disable a load cell
- PreVent™ breather vent
- Conformal coated circuit board
- Number of cells: two, three or four single cells
- Expansion port

Applications

- Floor, tank, hopper scales

Specifications

Cable Fittings:

P/N 88956:

- (4) PG7 0.118 to 0.255 strain relief
- (2) PG11 0.197 to 0.394 strain relief

P/N 107700:

- (4) PG9 0.138 to 0.315 strain relief
- (2) PG11 0.197 to 0.394 strain relief

Rating/Material:

- NEMA Type 4X
- Stainless steel

Connectors:

- Spring clamp screwless, 12 to 28 AWG

Trimming:

- Individual cell, signal trim

Temperature Range:

- Operating
- 0 °F to 122 °F (-18 °C to 50 °C)

Potentiometers:

- 100,000 ohm, 25-turn cermet

Circuit Board:

- 3.8 × 2.3 in, with conformal coating

Warranty:

- One-year limited

Approvals:

- cFMus

JUNCTION BOXES / SIMULATORS