



# VANTAGE<sup>®</sup>

Dual-Fuel Condensing  
Firetube Boilers

2 Million – 6 Million BTU/HR



- ▶ Efficiencies up to 99%
- ▶ Dual-Fuel Gas and No. 2 Oil
- ▶ Industrial-Grade Construction



**Biofuel  
READY**  
*Up to B100*

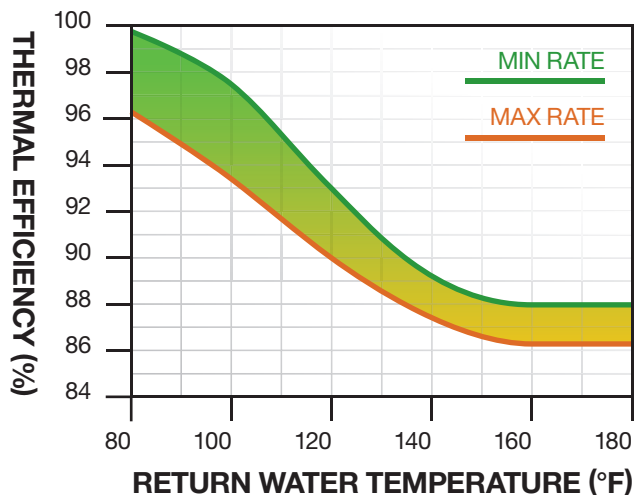


**Hydrogen  
READY**  
*Up to 20% Blend*



# DUAL-FUEL WORKHORSE

Fulton's VANTAGE® revolutionized the commercial boiler industry as the first ever dual-fuel gas and oil condensing boiler in North America. The VANTAGE has the largest-in-class install base with a highly experienced service network and proven operational history.



## SUBSTANTIAL ENERGY SAVINGS

- ▶ **Precise Combustion**  
VANTAGE boilers feature parallel positioning air and gas servo motors for unsurpassed repeatability and reliable, worry-free heat.
- ▶ **Higher Efficiencies**  
Combustion is precision optimized across the full burner range, reducing emissions and fuel bills by 5-8%.
- ▶ **Simplified Piping**  
Variable primary flow design improves temperature control and maximizes efficiency by delivering the lowest temperature water directly to the boiler with no blending.

- ▶ **Minimal Footprint**  
Side clearances down to 1-Inch save valuable space in the mechanical room.
- ▶ **Preferred for Peace of Mind**  
VANTAGE boilers are the top choice for mission critical applications in healthcare, education, government and military.
- ▶ **Fully Condensing Boiler**  
Extraordinary utility savings with condensing operation on natural gas and ultra-low sulfur oil.

## THE BEST OF BOTH WORLDS

Engineers and operators no longer must choose between long-lasting durability and ultra-high efficiencies; Fulton's VANTAGE delivers on both. Critical heating operations requiring redundancy in the event of a fuel disruption rely on VANTAGE boilers as the premier choice for rugged and reliable dual-fuel operation.

★ **LIFETIME** ★ **10 YEAR** ★ **2 YEAR** ★

Warranty Type	Duration
THERMAL SHOCK WARRANTY	LIFETIME
PRESSURE VESSEL WARRANTY	10 YEAR
PARTS WARRANTY	2 YEAR



# HEAVY-DUTY ENGINEERING

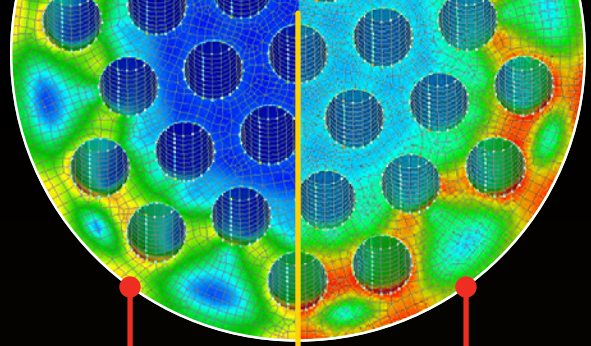
Proven industrial-grade construction meets modern condensing efficiency.

## Robust Pressure Vessel

Engineered for unsurpassed durability in high demand applications, our high-volume vessel features low water-side pressure drop, greater built-in buffer capacity for reduced cycling, and won't be harmed by a zero flow condition.

## Industrial Durability

The dual fuel optimized combustion chamber and robust passageways ensure low stresses and guarantee full burner capacity without flame impingement or derate on both fuels.



*Fulton's Duplex  
Stainless Steel*

*Conventional 316L  
Stainless Steel*

## Advanced Materials

Duplex stainless steel features 160% greater yield strength and a 22% reduction in thermal expansion compared to 316L. This solves both the cyclic fatigue and stress corrosion cracking failures common with conventional 300 stainless steel.

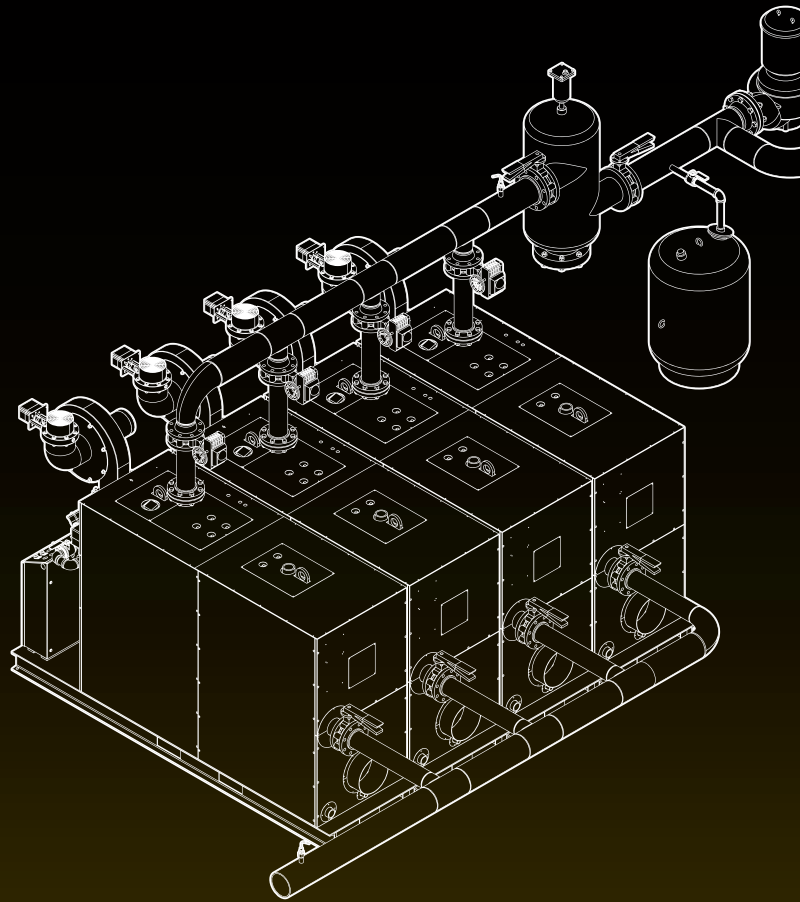


# RELIABLE REDUNDANCY

## Less Maintenance, More Uptime

While firing on No. 2 oil, Fulton's VANTAGE can run for 4,000 hours between inspection intervals, while some competitors require costly disassembly and cleaning of the heat exchanger every few days of use.

- ▶ **Flip-of-a-Switch Fuel Changeover**
- ▶ **Automatically Adjusts Combustion Profiles When Switching Fuels**
- ▶ **Net Zero Carbon Capable with B100 biodiesel**



## APPLICATIONS FOR NO. 2 OIL

Installation costs are significantly reduced utilizing the fuel already available in facilities with backup generators. Utility rebates or other incentives may be available in fuel curtailment areas when switching to No. 2 oil during peak demand.

- ▶ **Safely Store Fuel Oil Indoors**
- ▶ **Does Not Require Costly Vaporization Systems**
- ▶ **Lower Cost of Installation and Ownership**

## A TRUE DUAL-FUEL BOILER

The Fulton VANTAGE offers peace of mind with rigorous certifications for safety and efficiency on both fuels, and ships fully packaged with the burner, gas train, controls, safeties, insulation and jackets all factory mounted, wired and tested.

- ▶ **Full-Time Operation on No. 2 Oil; Not Just for Emergency Backup**
- ▶ **Fully Factory Test-Fired and Pre-configured on Both Gas and Oil**
- ▶ **Combination Natural Gas and Propane Also Available**

# MODSYNC<sup>®</sup>

Experience superior control with an optional ModSync SE sequencing system which can lead-lag up to 8 VANTAGE boilers into a cohesive modular heating plant. This provides intuitive, centralized monitoring of the entire boiler system.

- ▶ Reduces Cycling for Longer Life
- ▶ Highly Optimized Load Matching
- ▶ Modbus / BACnet Configurable



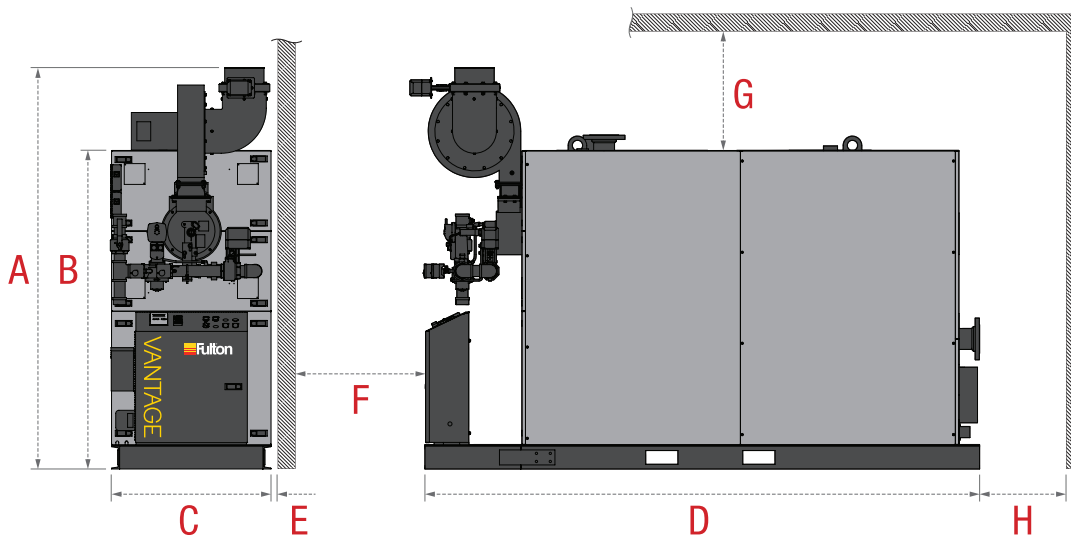
## DUAL-FUEL CASE STUDY

Fulton's VANTAGE boilers reduce energy use at world's largest LEED certified convention center.

- ▶ Read the full story online: [fulton.com/gwcc](http://fulton.com/gwcc)

# SPECIFICATIONS & DIMENSIONS

	MODEL	VTG	2000	2000DF	3000	3000DF	4000	4000DF	5000	5000DF	6000	6000DF
<b>SPECIFICATIONS</b>												
Input Capacity		MBH	2,000	2,000	3,000	3,000	4,000	4,000	5,000	5,000	6,000	6,000
Water Content		GAL	147	147	215	215	275	275	275	275	480	480
Pressure Drop at 20°F ΔT		PSI	0.9	0.9	1.0	1.0	2.6	2.6	4.8	4.8	5.6	5.6
Operating Weight		LB	5,100	5,100	7,100	7,100	8,900	8,900	9,200	9,200	14,800	14,800
AHRI Thermal Efficiency (Gas)		%	95.7	95.7	96.3	96.3	96.9	96.9	92.6	92.0	94.0	94.0
AHRI Thermal Efficiency (No. 2 Oil)		%	–	96.8	–	98.1	–	98.2	–	92.0	–	95.6
Electrical Req. at 460/3/60		FLA	5	8	6	8	9	8	13	15	13	15
Electrical Req. at 208/3/60		FLA	11	18	14	18	20	18	28	32	28	32
<b>DIMENSIONS</b>												
(A) Height		IN	76.1	64.1	87.3	72.3	89.5	77.9	93.9	77.9	88.9	88.9
(B) Height Without Blower		IN	64.1	64.1	72.3	72.3	77.9	77.9	77.9	77.9	88.9	88.9
(C) Width		IN	30.5	30.5	34.5	34.5	40.5	40.5	40.5	40.5	50.5	50.5
(D) Depth		IN	108	122	120	132	124	136	136	142	155	155
<b>CLEARANCES</b>												
(E) Sides		IN	1	1	1	1	1	1	8	1	1	1
(F) Front		IN	36	36	36	36	36	36	36	36	36	36
(G) Top		IN	24	24	24	24	24	24	24	24	24	24
(H) Rear		IN	24	24	24	24	24	24	24	24	24	24



NOTE: Specifications and dimensions are approximate and for reference only. Fulton practices continuous product improvement and reserves the right to change specifications and/or dimensions without notice.



Call: (315) 298-5121

972 Centerville Road  
Pulaski, NY 13142



[fulton.com/vantage](http://fulton.com/vantage)



VANTAGE\_BROCHURE\_231201