

F-101 Gen-5 ADA Bench Fume Hood

F-101 Isolator Gen-5 ADA Bench Fume Hood - Combination Sash

ISOLATOR Gen-5 Bench Fume Hood - This general purpose fume hood is designed to meet most laboratory Constant Air Volume (CAV) or Variable Air Volume (VAV) requirements and supplied with and automatic compensating upper by-pass. For VAV, use option MOD-0004 for a restricted by-pass position of observation glass. Designed to mount on a 31" deep counter top. The ISOLATOR Gen-5-ADA bench mounted fume hood is supplied with the following standard features in a handicapped accessible form:

Counter Balance Systems - Chain and sprocket system delivers the easiest and most reliable sash operation available with an exceptional product life-cycle ISOLATOR drive system provides economical and reliable operation; tested to over 1 million cycles with no failure.

Sash Design - 1/4" thick tempered safety panels are provided with a stainless steel sash frame. Optional laminated safety glass or polycarbonate available for special applications. Hood has a framed vertical sash and horizontal panels with a 42" exterior sightline.

Lower Airfoil - Aerodynamic flush sill design allows air to enter the fume hood even when the sash is closed ensuring efficient fume exhaust. The flip up safety trough cover allows electrical wiring or tubing into the fume hood while still permitting full closure of the sash.

Stainless Steel Type 304 Exhaust Collar - Round collar which allows for direct connection to typical exhaust ducts to reduce duct transition costs, minimize static pressure losses and exhaust noise levels.

Electrical - Two UL/CSA approved duplex receptacles provided for 120 volt service, one on each corner post. UL/CSA approved LED light fixture and switch provided. Explosion proof fixtures are available options.

Plumbing - Both corner posts are pre-punched to accept a maximum of one plumbing fitting per post. Factory pre-plumbing is available as well as plumbing fixtures from a variety of manufacturers to meet most plumbing needs.

Access Panels - Interior overlay style access panels provide convenient access and prevent accidental removal. Exterior side panels are also removable for ease of access to plumbing and electrical service fixtures.

Standards - UL 1805 Classified and tested in accordance with ASHRAE 110. Test results available upon request.



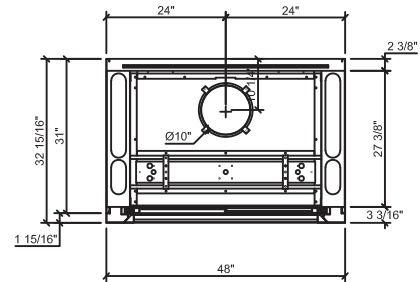
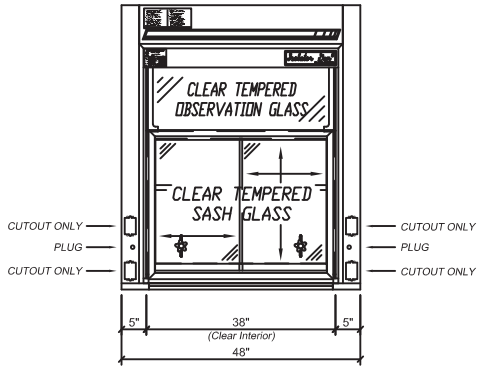
Rendering shown with optional features

Catalog Number	Width	Clear Interior Depth	Duct Diameter	28" Vertical Open @ 100 FPM	18" Vertical Open @ 100 FPM	50% Horizontal Open @ 100 FPM
F-101-48G5-ADA	48"	24"	1:10"	739 CFM @ .29" SP	475 CFM @ .12" SP	415 CFM @ .09" SP
F-101-60G5-ADA	60"	24"	1:12"	972 CFM @ .27" SP	625 CFM @ .11" SP	549 CFM @ .09" SP
F-101-72G5-ADA	72"	24"	1:12"	1206 CFM @ .42" SP	775 CFM @ .17" SP	692 CFM @ .14" SP
F-101-96G5-ADA	96"	24"	2:10"	1672 CFM @ .37" SP	1075 CFM @ .15" SP	968 CFM @ .12" SP

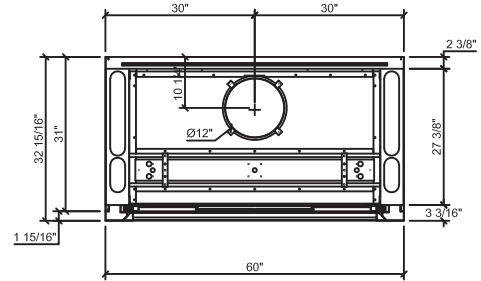
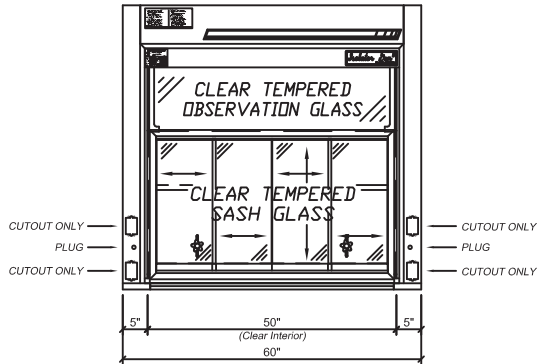
50% open may be achieved two ways: 1. vertical sash open 14", horizontal panels closed or 2. vertical sash closed, horizontal panels full open

F-101 Gen-5 ADA Bench Fume Hood

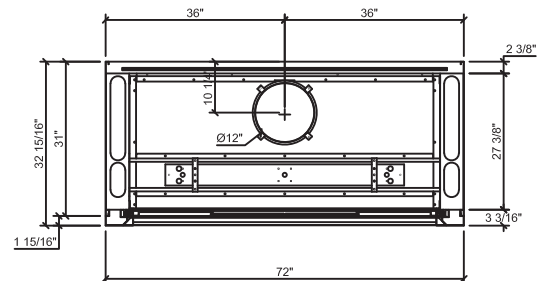
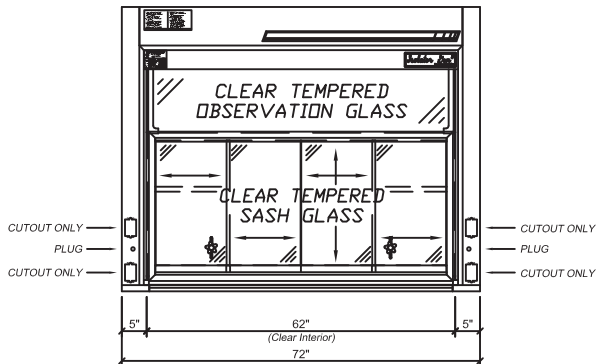
F-101-48G5-ADA - 48" Wide



F-101-60G5-ADA - 60" Wide

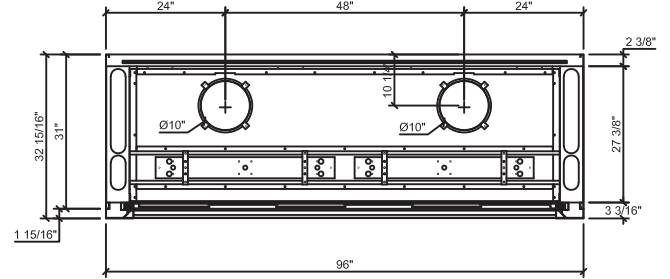
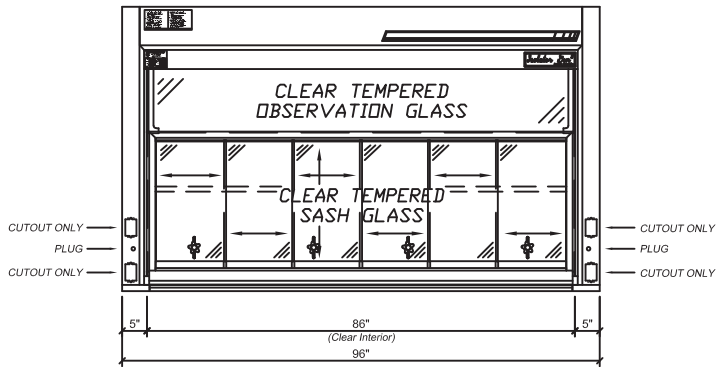


F-101-72G5-ADA - 72" Wide



F-101 Gen-5 ADA Bench Fume Hood

F-101-96G5-ADA - 96" Wide



Section - Standard Depth

