

F-121 Gen-5 Bench Fume Hood

F-121 Isolator Gen-5 Bench Fume Hood - Frameless Vertical Sash

ISOLATOR Gen-5 Bench Fume Hood - This fume hood is designed to connect classroom to the prep room. Constant Air Volume (CAV) or Variable Air Volume (VAV) requirements and supplied with an automatic compensating upper by-pass. For VAV, use option MOD-0004 for a restricted by-pass position of observation glass. Designed to mount on a 26.25" deep counter top. The ISOLATOR Gen-5 bench mounted pass-through fume hood is supplied with the following standard features:

Counter Balance Systems - Chain and sprocket system delivers the easiest and most reliable sash operation available with an exceptional product life-cycle ISOLATOR drive system provides economical and reliable operation; tested to over 1 million cycles with no failure.

Sash Design - 1/4" thick tempered safety glass is provided with epoxy urethane coated steel handles. Optional laminated safety glass or polycarbonate available for special applications. Hood has frameless vertical sashes with a 42" exterior sightline and sash interlock safety system to one sash at a time to be operated.

Lower Airfoil - Aerodynamic flush sill design allows air to enter the fume hood even when the sash is closed ensuring efficient fume exhaust. The flip up safety trough cover allows electrical wiring or tubing into the fume hood while still permitting full closure of the sash.

Stainless Steel Type 304 Exhaust Collar - Round collar which allows for direct connection to typical exhaust ducts to reduce duct transition costs, minimize static pressure losses and exhaust noise levels.

Electrical - Two UL/CSA approved duplex receptacles provided for 120 volt service, one on each corner post. UL/CSA approved LED light fixture and switch provided. Explosion proof fixtures are available options.

Plumbing - Both corner posts are pre-punched to accept a maximum of five plumbing fittings per post. Factory pre-plumbing is available as well as plumbing fixtures from a variety of manufacturers to meet most plumbing needs.

Access Panels - N/A

Standards - UL 1805 Classified and tested in accordance with ASHRAE 110. Test results available upon request.

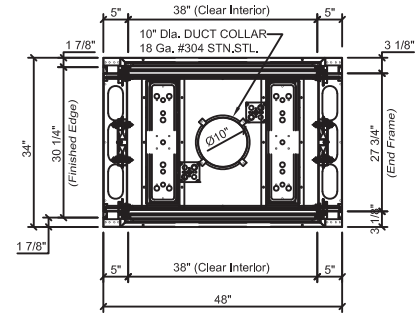
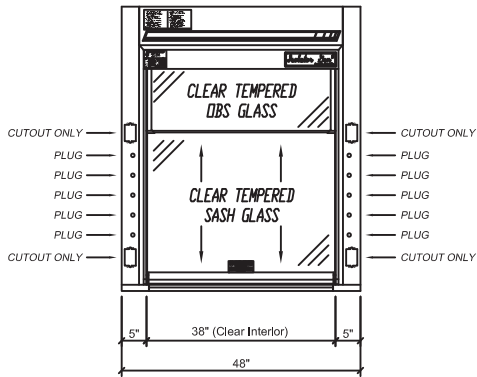


Rendering shown with optional features

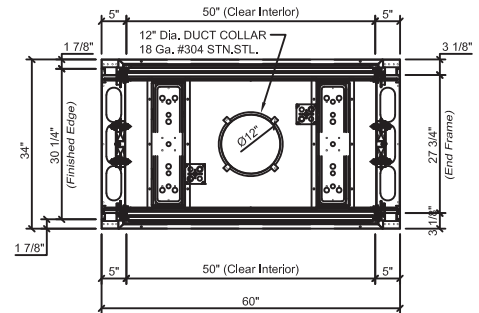
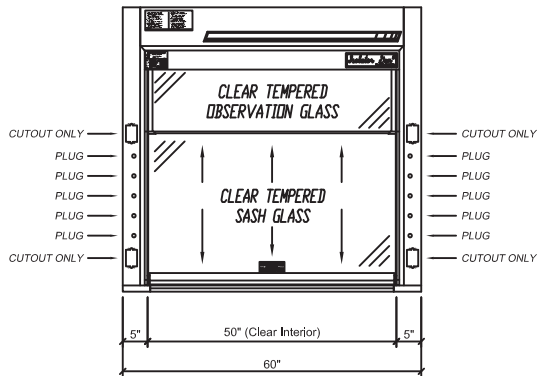
Catalog Number	Width	Clear Interior Depth	Duct Diameter	28" Vertical Open @ 100 FPM	18" Vertical Open @ 100 FPM
F-121G5-48	48"	30 1/4"	1:10"	844 CFM @ .38" SP	581 CFM @ .18" SP
F-121G5-60	60"	30 1/4"	1:12"	1111 CFM @ .36" SP	764 CFM @ .17" SP
F-121G5-72	72"	30 1/4"	1:12"	1378 CFM @ .55" SP	947 CFM @ .26" SP

F-121 Gen-5 Bench Fume Hood

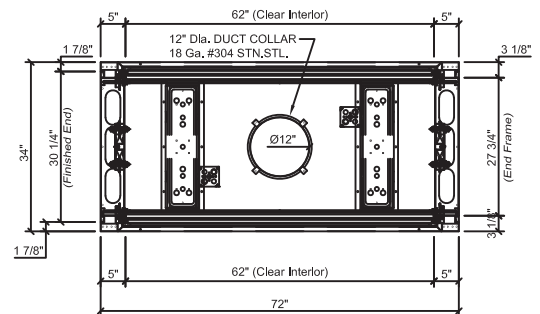
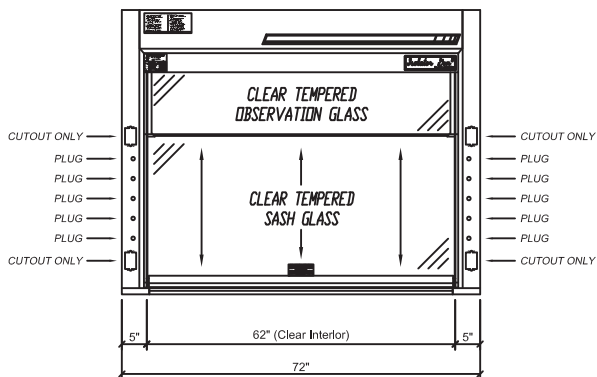
F-121-48G5 - 48" Wide



F-121-60G5 - 60" Wide



F-121-72G5 - 72" Wide



Section

