



MVE Series

Available with the TEC 3000

The MVE Series freezers provide stable cryogenic storage for up to 39,000 1.2 / 2.0 ml vials. These freezers provide maximum storage density and provide long hold times. MVE Series are primarily designed for liquid storage.

Key Features

- Liquid sample storage
- Wide neck opening
- Low liftover height
- Large LN₂ capacity
- Optional Battery Backup



MVE Series

	MVE 205	MVE 510	MVE 616	MVE 1426	MVE 1839
Maximum Storage Capacity					
○ 1.2 & 2 ml Vials (Internally Threaded)	5,200	10,400	16,900	26,650	39,000
○ Number of Racks 100 cell boxes	4	7	12	18	28
○ Number of Racks 25 cell boxes	-	4	4	10	8
○ Number of Stages per Rack	13	13	13	13	13
Performance					
○ LN ₂ Capacity L	95	166	240	388	673
Unit Dimensions					
○ Neck Opening in. (mm)	16.00 (406)	20.70 (527)	25.10 (638)	31.75 (806)	39.40 (1002)
○ Usable Internal Height in. (mm)	28.9 (735)	30.0 (762)	29.5 (749)	29.3 (745)	33.6 (854)
○ Inner Diameter in. (mm)	16.00 (406)	20.70 (527)	25.1 (638)	31.75 (806)	39.40 (1002)
○ Overall Height w/ AutoFill in. (mm)	46.3 (1176)	46.7 (1185)	45.8 (1161)	46.8 (1188)	54.0 (1372)
○ Door Width Requirement** in. (mm) Outer Dimensions	23.6x22.7 (601x577)	30.6x29.7 (778x754)	33.5x34.6 (852x878)	40x41.6 (1017x1056)	46.8x48.9 (1187x1242)
○ Weight Empty lb. (kg)	195 (88)	281 (127)	320 (145)	490 (222)	750 (341)
○ Weight Liquid Full* lb. (kg)	365 (166)	577 (262)	748 (339)	1181 (536)	1950 (885)

	MVE 205			MVE 510			MVE 616			MVE 1426			MVE 1839		
Blood Bag Capacities	Total Bags	Bags/ Frame	No. Frames	Total Bags	Bags/ Frame	No. Frames	Total Bags	Bags/ Frame	No. Frames	Total Bags	Bags/ Frame	No. Frames	Total Bags	Bags/ Frame	No. Frames
○ 791 OS/U Medsep (25 ml)	539	7	77	882	7	126	1,372	7	196	2,226	7	318	3,968	8	496
○ 4R9951 (50 ml)	228	6	38	420	6	70	612	6	102	924	6	154	1,856	8	232
○ 4R9953 (250 ml)	128	4	32	224	4	56	336	4	84	512	4	128	1,010	5	202
○ 4R9955 (500 ml)	96	4	24	160	4	40	248	4	62	424	4	106	770	5	154
○ DF200 (200 ml)	80	4	20	128	4	32	200	4	50	336	4	84	610	5	122
○ DF700 (700 ml)	40	4	10	68	4	17	116	4	29	168	4	42	380	5	76

FIVE Year Vacuum Warranty • TWO Year Parts Warranty

Conforms to MDD 93/42/EEC, the Medical Device Directive for the EU. Freezer systems UL/C-UL Listed.

* Without inventory

**Minimum width required for vessel to pass through opening. Footprint may vary. Contact Tech Service for detailed drawings.

***Not available with Auto Fill.

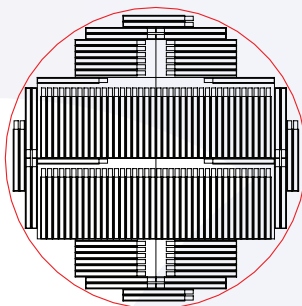
† Not available with Auto Fill. CE Marked but MDD does not apply.

Note: The usable height is decreased when using a vapor platform, and storage capacity is reduced when using a sleeve.



Rack Layouts

4R9953 Layout



DF700 Layout

