

Steam Traps

Model: Universal Traps

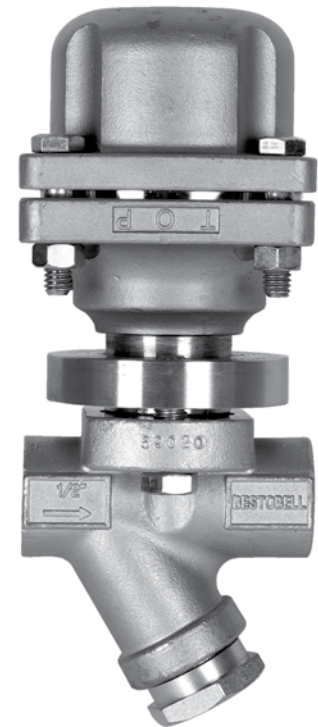
CRN: Canadian Registration Number Available

UNIVERSAL STEAM TRAPS

3 Year No Live Steam Loss Guarantee

Bestobell Steam offers a universal mount, bimetallic steam trap for plant applications requiring standardized connections. Body, cover and connector are all stainless steel construction.

- **Universal mount** – Universal mounting connections allow trap use on any manufacturer's universal mount
- **Two bolt replacement module** – easy to install, replace or rebuild
- **Single blade element** – offers long term, trouble-free service. Delta elements are not affected by dirt build-up, as are multiple element bimetal designs
- **Stainless steel internals** – highly resistant to fatigue and corrosion, and field replaceable
- **Built-in check valve** – prevents back flow
- **Modulating discharge** – automatically adjusts to operating pressure and load changes, overcoming problems associated with cycle discharge
- **Continuous air and CO₂ venting** – maximizes heat transfer while minimizing corrosion
- **Fast start-up capabilities** – due to high cold discharge capabilities



A Division of
Richards Industries
3170 Wasson Road
Cincinnati, OH 45209

toll free. 800.543.7311
local. 513.533.5600
fax. 513.871.0105

steam@richardsind.com
www.bestobellsteamtraps.com

UNIVERSAL STEAM TRAPS

SPECIFICATIONS

Maximum Allowable Pressure: 650 psig (44,8 bar)

Maximum Allowable Temperature: 650°F (343,3°C)

MATERIALS

Body & Cover: CF8 SST

Valve Seat: 303 SST

Valve Stem: 17-4 SST

Bimetal: SST

Nuts & Bolts: Grade 8

Gasket: Flexible Graphite

Connector Gaskets: Flexitallic

Connector: CF8 SST

Connector Bolts: Grade 8

Strainer: 304 SST

Blowdown: 303 SST

Blowdown Stem: 17-4 SST

Blowdown Seat: EPDM

Options: strainer and blowdown

Extra Gaskets Part Number

Mtg gasket inside = 51001-738

Mtg gasket outside = 51021-889

CAPACITY CHART: CONDENSATE

CAPACITY AT DIFFERENTIAL PRESSURE LBS/HR (KGS/HR)

Series	Temp.	Differential Pressure, PSI																	
		2	5	10	20	30	40	50	60	70	80	90	100	120	150	200	250	300	320
UM03A001	cold	500	1000	1800	2600	3000													
	hot	175	200	200	600	200													
UGM03036	cold	1000	1700	2100	2900	3200													
	hot	500	700	750	750	750													
UM03A002	cold			1200	1900	2500	2900	3300	3800	4000									
	hot			130	160	190	200	210	220	230									
UGM06039	cold			1800	3000	3800	4650	5200	5800	6200									
	hot			580	700	760	820	860	880	900									
UM010004	cold			1000	1700	2100	2700	3000	3200	3500	3800	4000	4100	4300					
	hot			300	350	400	400	400	400	400	400	400	400	400					
UGM10045	cold				2800	3300	3800	4200	4600	5000	5400	5700	6000	6600					
	hot				460	500	550	585	630	660	700	725	750	780					
UDM25035	cold							1500	1590	1680	1770	1860	1950	2050	2200	2400	2600	2700	2800
	hot							70	72	74	76	78	80	84	90	100	105	110	110
UM022008*	hot							50	50	50	50	50	50	50	50	50	50	50	
UM022008**	hot							250	250	250	250	250	250	250	250	250	250	250	

* at 50°F subcooling

** at 90°F subcooling

HOW TO ORDER: UNIVERSAL STEAM TRAP BODIES

Trap Model	Standard Model	Max Differential Pressure
UDM25035 =	DM025	320 psi (22,1 bar)
UGM03036 =	GM003	30 psi (2,1 bar)
UGM06039 =	GM006	70 psi (4,8 bar)
UGM10045 =	GM010	120 psi (8,3 bar)
UM010004 =	M0010	120 psi (8,3 bar)
UM022008 =	M0022	300 psi (20,7 bar)
UM03A001 =	M003A	30 psi (2,1 bar)
UM06A002 =	M006A	70 psi (4,8 bar)

HOW TO ORDER: UNIVERSAL CONNECTORS

Trap Model	Description
UC0P0210 =	Universal Connector 1/2" FNPT SST
UC0P0310 =	Universal Connector 3/4" FNPT SST
UC0P0410 =	Universal Connector 1" FNPT SST
UC0S0210 =	Universal Connector 1/2" FNPT w/strainer SST
UC0S0310 =	Universal Connector 3/4" FNPT w/strainer SST
UC0S0410 =	Universal Connector 1" FNPT w/strainer SST

HOW TO ORDER: BLOWDOWN KITS

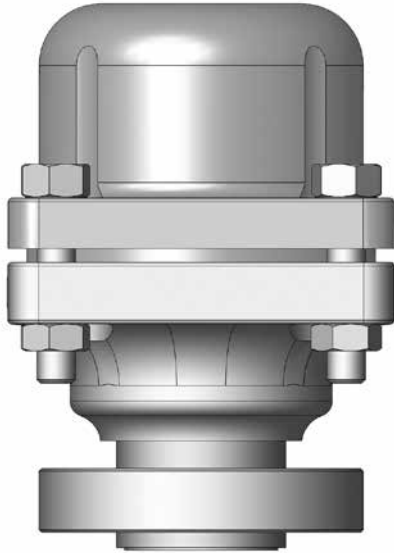
- Model # RBD-6 blowdown kit for low to medium pressure steam (250 psig, 400°F max/17,2 bar, 204°C). Kit includes model 99x70 bronze ball valve, DTC, and gasket.
- Model # RBD-1 blowdown kit for higher pressure steam (750 psig, 650°F/51,7 bar, 343°C). Kit includes Bestobell integral blowdown valve, DTC, and gasket.

UNIVERSAL TRAPS

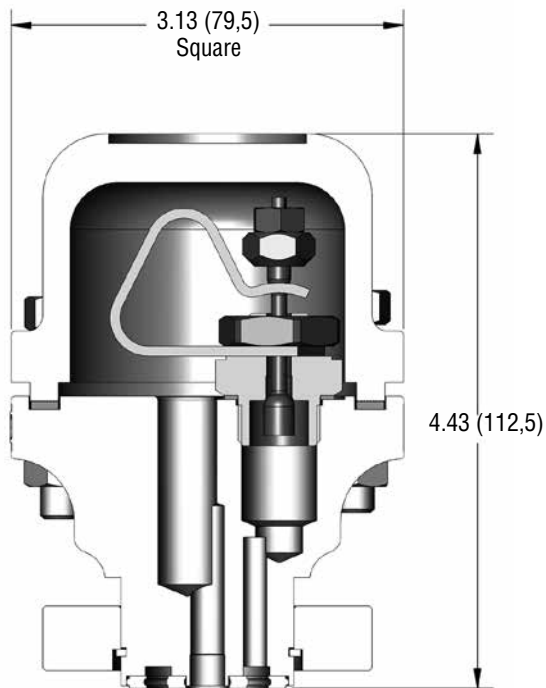
DELTA ELEMENT TRAPS

UNIVERSAL STEAM TRAPS

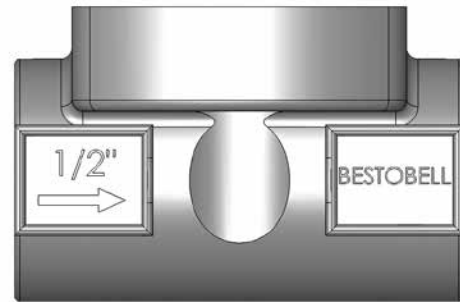
UNIVERSAL STEAM TRAP BODY



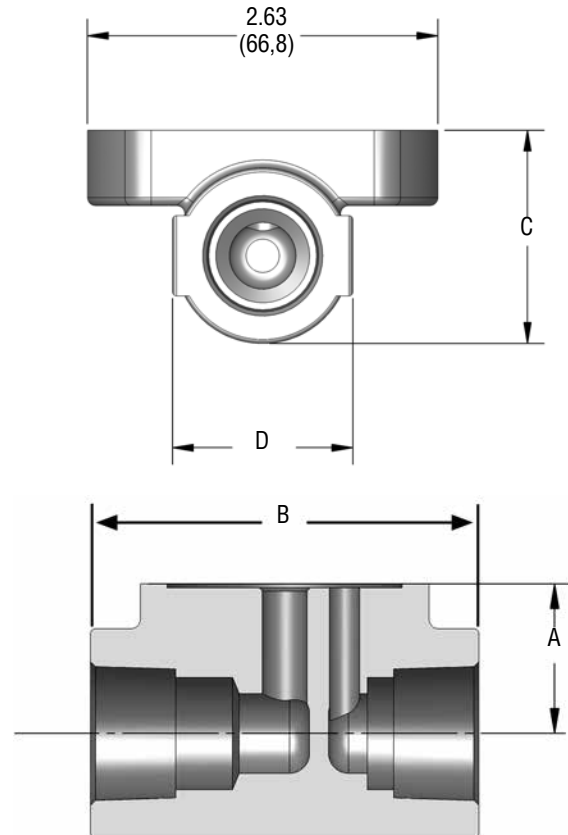
UNIVERSAL STEAM TRAP BODY DIMENSIONS



UNIVERSAL MOUNTING ASSEMBLY



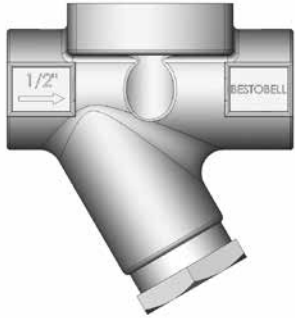
UNIVERSAL MOUNTING ASSEMBLY DIMENSIONS



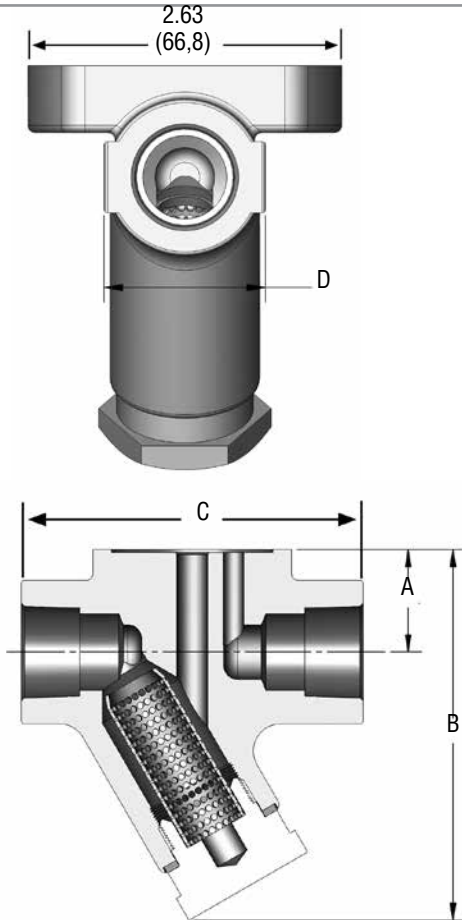
Dimensions				
1/2"	A	B	C	D
inches	0.94	2.44	1.59	1.36
mm	23,9	62,0	40,4	34,5
3/4"	A	B	C	D
inches	1.06	2.75	1.86	1.60
mm	26,9	69,9	47,2	40,6
1"	A	B	C	D
inches	1.19	3.25	2.08	1.90
mm	30,2	82,6	52,8	48,3

UNIVERSAL STEAM TRAPS

UNIVERSAL MOUNTING ASSEMBLY WITH STRAINER

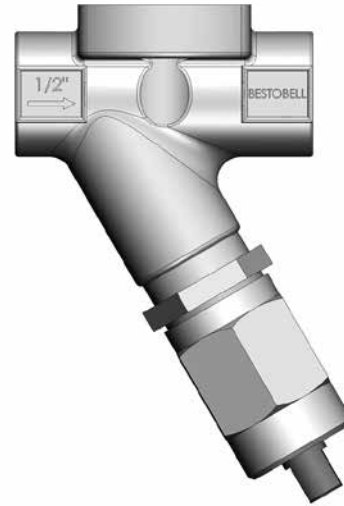


UNIVERSAL MOUNTING ASSEMBLY WITH STRAINER DIMENSIONS

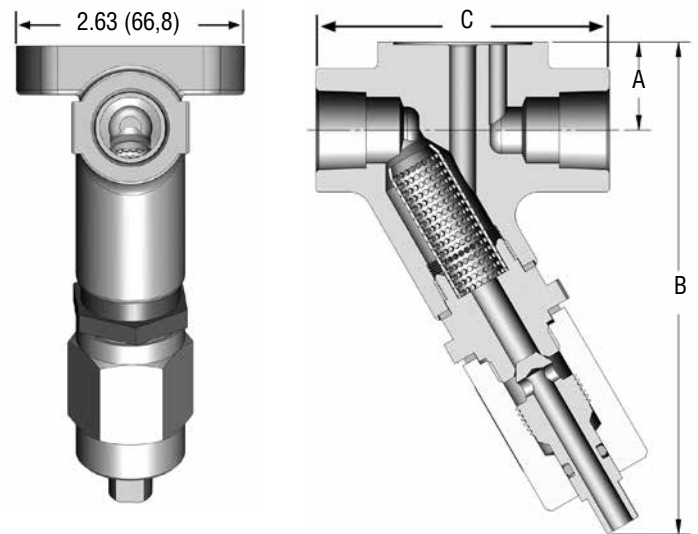


		Dimensions			
1/2"		A	B	C	D
inches		0,94	3,40	3,13	1,36
mm		23,9	86,4	79,5	34,5
3/4"		A	B	C	D
inches		0,94	3,53	3,13	1,60
mm		23,9	89,7	79,5	40,6
1"		A	B	C	D
inches		0,94	3,65	3,50	1,90
mm		23,9	92,7	88,9	48,3

UNIVERSAL MOUNTING ASSEMBLY WITH STRAINER & BLOWDOWN



UNIVERSAL MOUNTING ASSEMBLY DIMENSIONS



		Dimensions		
1/2"		A	B	C
inches		0,94	5,24	3,13
mm		23,9	133,1	79,5
3/4"		A	B	C
inches		0,94	5,37	3,13
mm		23,9	136,4	79,5
1"		A	B	C
inches		0,94	5,49	3,50
mm		23,9	139,4	88,9